

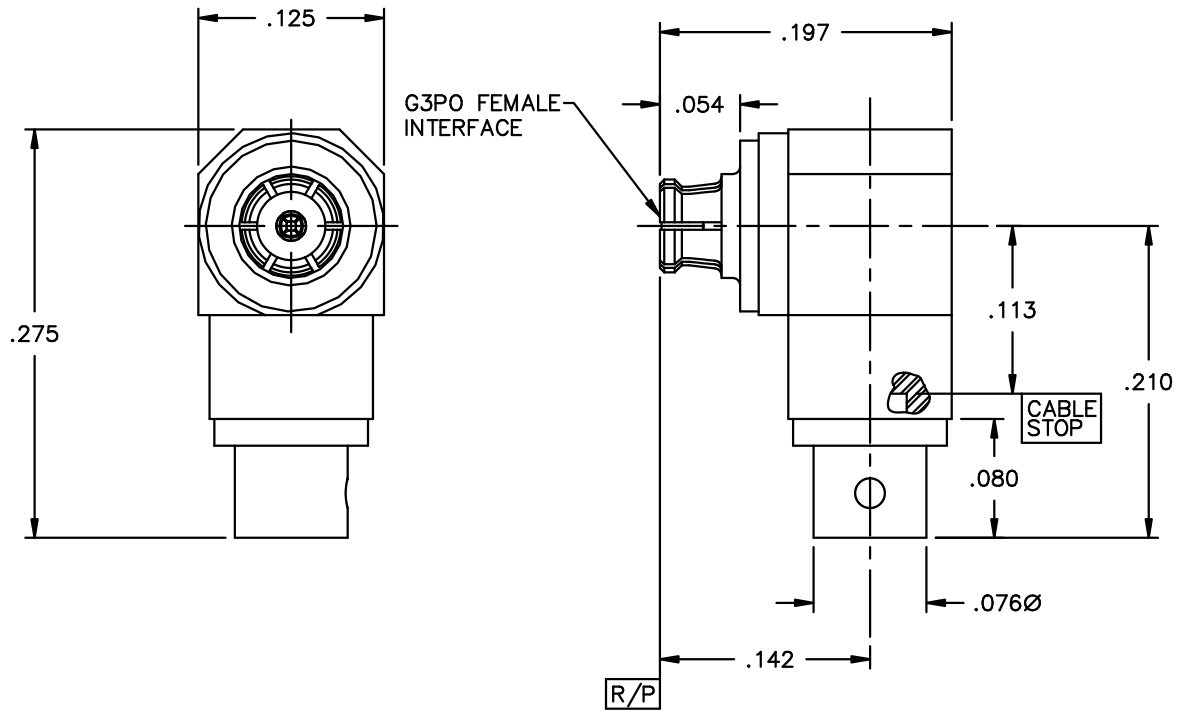
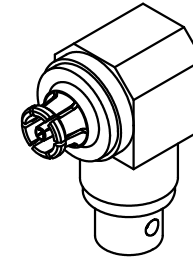
CATALOG NUMBER

R015-B11-02

MATERIAL AND FINISH

HOUSINGS AND
CENTER CONTACT:
DIELECTRICS:

BeCu; GOLD PLATE 75 MICROINCHES TYPICAL
OVER NICKEL PLATE 100 MICROINCHES TYPICAL
VIRGIN PTFE



This drawing and any data contained herein is the property of Corning Gilbert Inc., and constitutes and contains proprietary and confidential information. Neither receipt nor possession of this drawing confers or transfers any right to duplicate, use or disclose any information contained herein except as expressly authorized by Corning Gilbert Inc.

G3PO FEMALE R/A
TO SR .047 CABLE

IDENT CODE:
82316

REVISION: A1

Corning Gilbert Inc.

SOURCE FILE: SK-3719

DWG. NO.: OL-R015-B11-02

ASSY. PROC.: AP01-164