

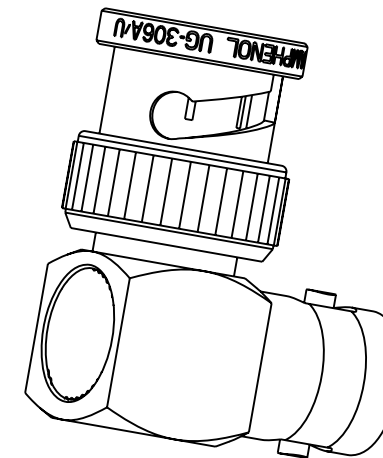
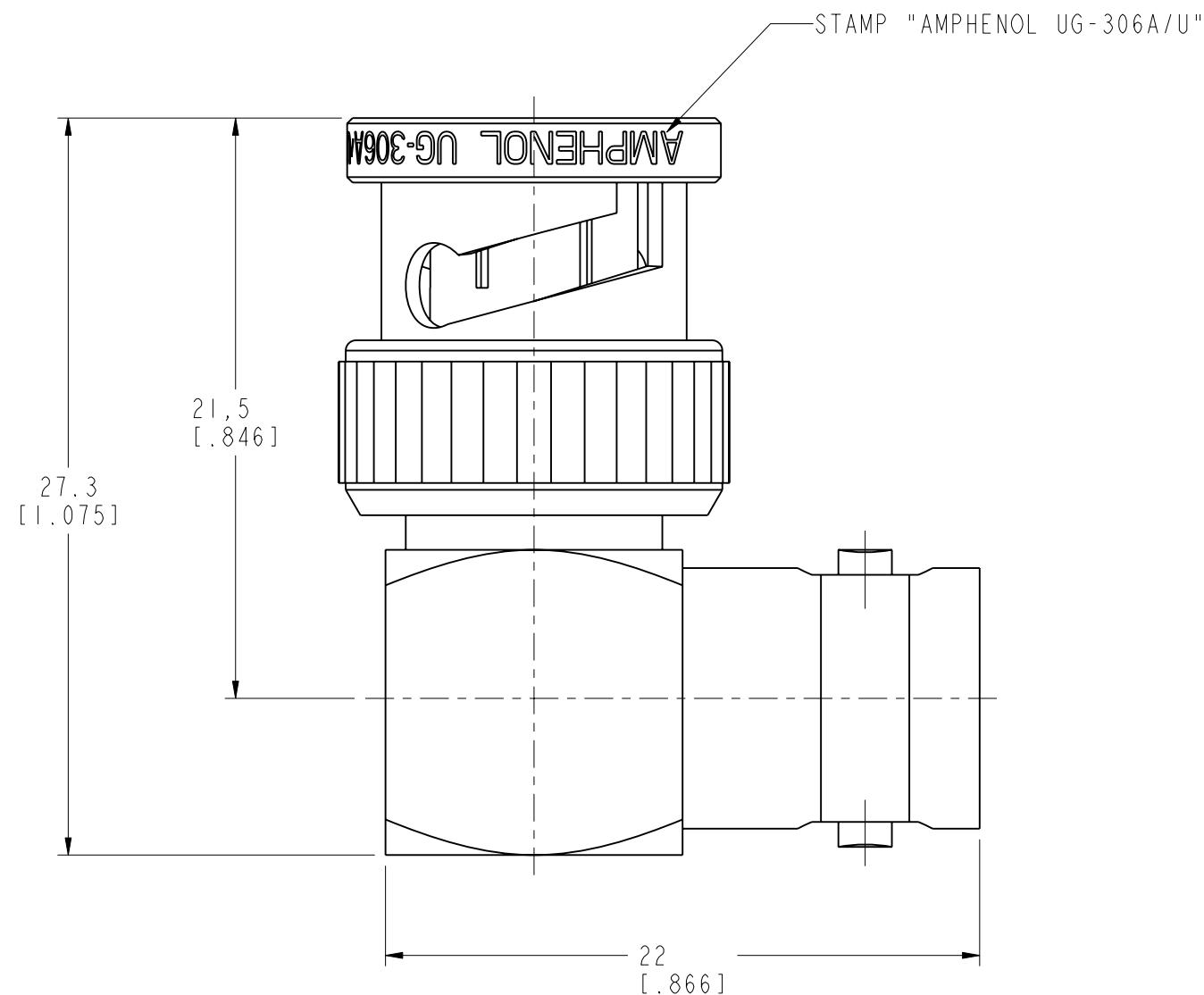
NOTES:

1. MATERIALS OF CONSTRUCTION:
 BODY - BRASS, NICKEL PLATING
 CONTACT PIN - BRASS & PHOSPHOR BRONZE, SILVER PLATING
 INSULATOR - PTFE
2. ELECTRICAL:
 A. IMPEDANCE: 50 OHM
 B. FREQUENCY RANGE: DC 0-4 GHZ
 C. VSWR: 1.5, MAX.
 D. DIELECTRIC WITHSTANDING VOLTAGE: 1500 VRMS, MIN.
3. MECHANICAL:
 A. DURABILITY: 500 CYCLES MIN.
 B. TEMPERATURE RANGE: -65° C TO +165° C

THIRD ANGLE PROJ.

REVISIONS

REV	DESCRIPTION	DATE	ECO	APPR
AA	SEE SHEET 1	1/16/02	43938	CPM
AB	STAMP "AMPHENOL" WAS "74868"\RD-DM12092001R3	26-Oct-12	49077	DH
AC	SHOW STAMP CONTENT ON SHELL COMPONENT	6-Feb-18	07062	SD



SCALE 2.000

CUSTOMER OUTLINE DRAWING

ALL OTHER SHEETS ARE FOR INTERNAL USE ONLY

UNLESS OTHERWISE SPECIFIED, DIMENSIONS ARE IN METRIC AND TOLERANCES ARE: <0.5mm ±0.05mm 0.5 - 6mm ±0.1mm 6 - 30mm ±0.2mm 30 - 120mm ±0.3mm ANGLES ±1°	MATERIAL	DRAWN R. MAO	DATE 21-Jun-12	TITLE BNC MALE TO FEMALE R/A ADAPTOR FOR UG-306A/U	Amphenol RF www.amphenolrf.com
	REFERENCE AND CONFIGURATION LEVEL:	ENGINEER S. LI	DATE 21-Jun-12		
NOTICE - These drawings, specifications, or other data (1) are, and remain the property of Amphenol corp. (2) must be returned upon request; and (3) are confidential and not to be disclosed to any person other than those to whom they are given by Amphenol Corp. the furnishing of these drawings, specifications, or other data by Amphenol Corp., or to any other person to anyone for any purpose is not to be regarded by implication or otherwise in any manner licensing, granting rights to permitting such holder or any other person to manufacture, use or sell any product, process or design, patented or otherwise, that may in any way be related to or disclosed by said drawings, specifications, or other data.	FINISH	APPROVED S. HSIEH	DATE 26-Feb-18	SCALE: 4.0:1.0 SHEET 2 OF 2	ITEM NO. 015072AAB00NJ5F
			CAD FILE		DWG SIZE B REV AC