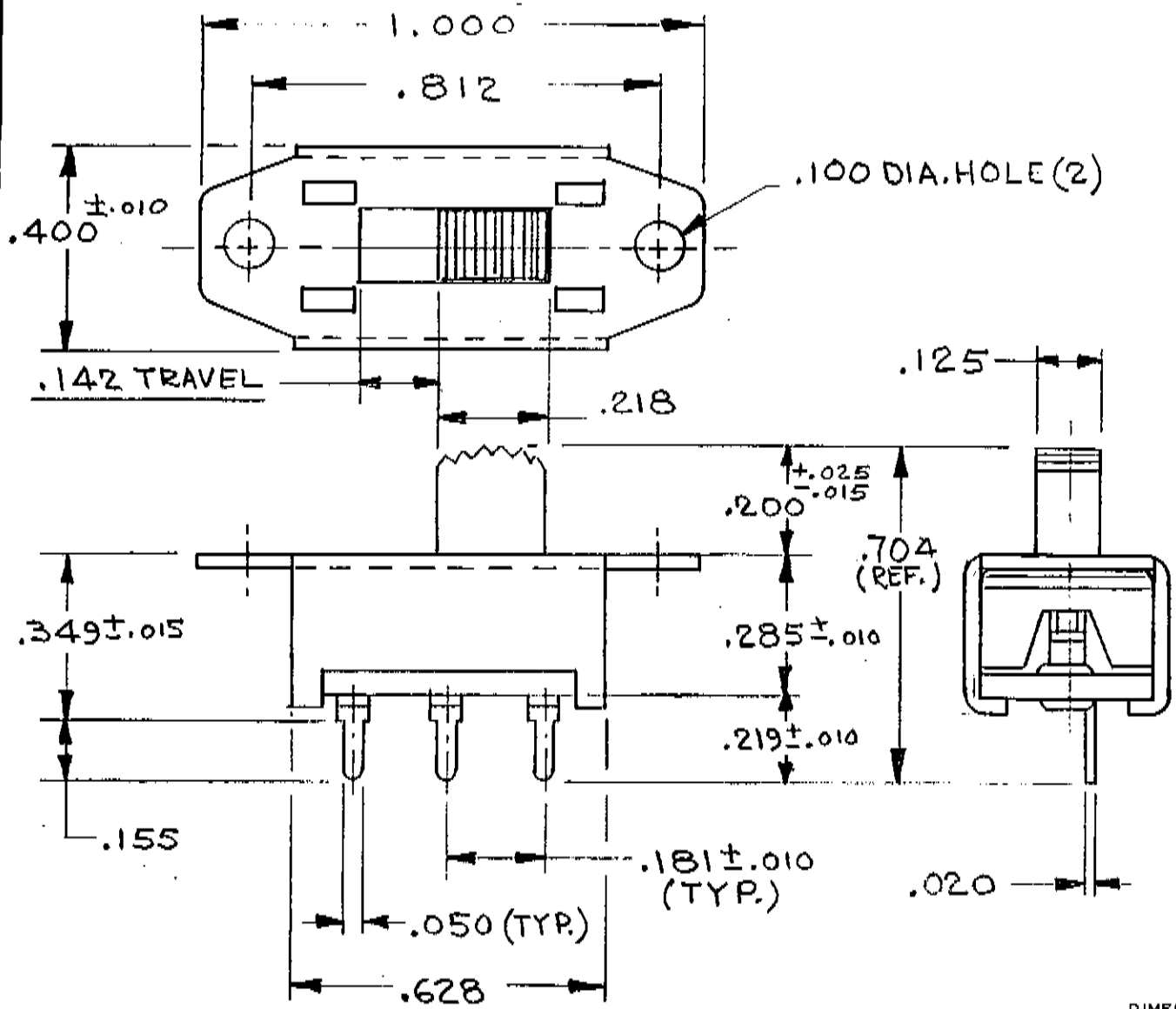


GF-124-0013



DIMENSIONS ARE IN INCHES. DO NOT SCALE DRAWING.

REVISIONS	0
	DATE AP. ENG. AP.

VARIATIONS ON FINISHED DIMENSIONS UNLESS OTHERWISE MARKED	
TOLERANCES UNLESS OTHERWISE SPECIFIED	
2 PLACE DECIMAL	± .010
3 PLACE DECIMAL	± .005
FRACTIONS	± 1/64
ANGULAR DIMENSIONS	± 1/2°

**SWIDGET**  
S.P. - D.T.

FIRST MADE FOR ELECTRIC SWITCHES

DRAWN BY J.V.  
DATE DRAWN 5-27-73  
CHECKED BY

**CW INDUSTRIES**  
WARMINSTER, PA. 18974

GF-124-0013

PDF File Made