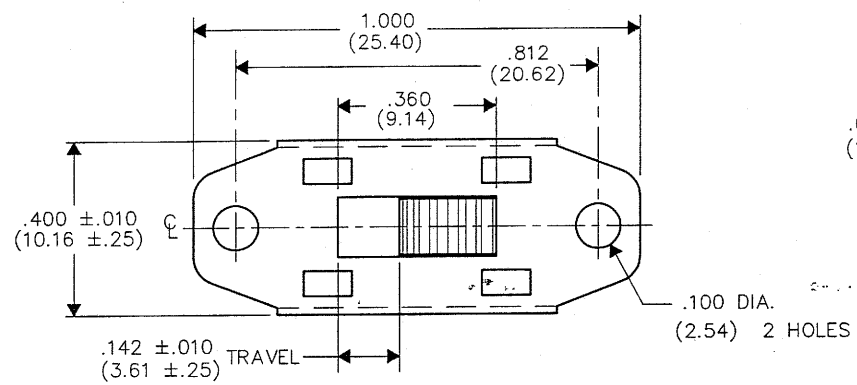


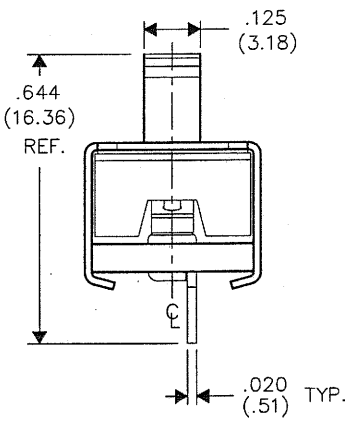
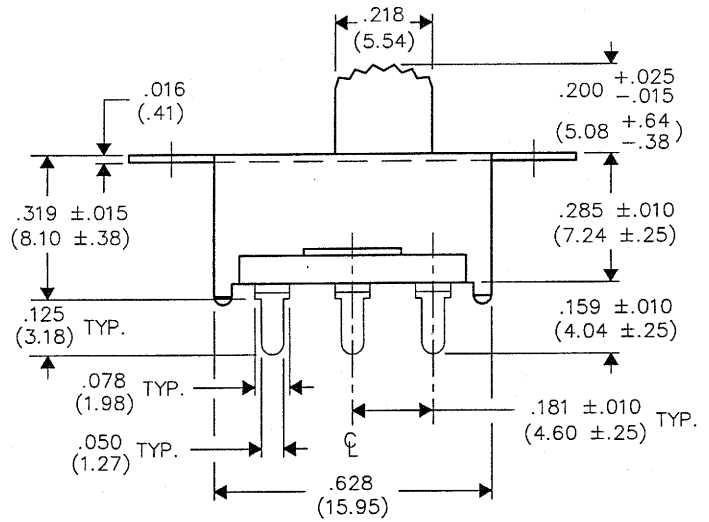
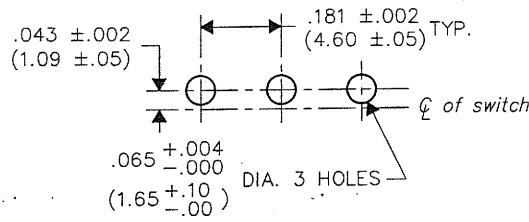
DIMENSIONS IN INCHES (MILLIMETERS)  
DO NOT SCALE DRAWING .....

Dwg. No.  
**GF-124-0082**

E  
D  
C  
B  
A



**P.C. LAYOUT**



1 2 3 4 5 6 7 8 9 10

B-FORMAT 2002	<b>REVISIONS</b>	0
	RELEASED: 4-24-2008	
	DGW	
	APR 24 2008	

**CW INDUSTRIES**  
Southampton, Pa. 18966

**TOLERANCES UNLESS OTHERWISE SPECIFIED**

2 Place Decimal ±.010	METRIC
3 Place Decimal ±.005	1 Place Dec. ±.25mm
Angles ..... ±1°	2 Place Dec. ±.13mm

Made for: CW IND.  
Drawn by: DGW 4-24-2008  
Checked by: G.Guld 4-24-08  
Approval: G.Guld 4-24-08

Title: **MINI SLIDE SWITCH S.P./D.T.**

Division: **SWITCH**

Dwg. No. **GF-124-0082**

**MASTER**