

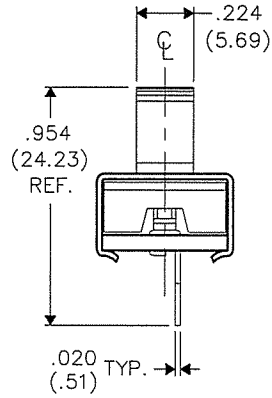
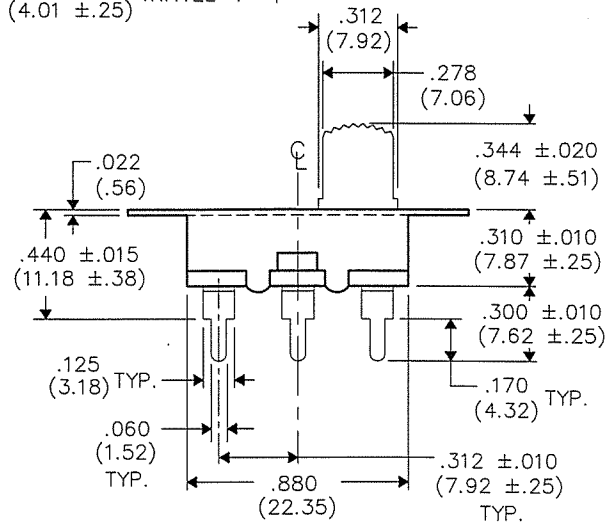
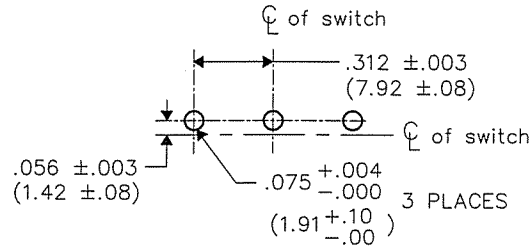
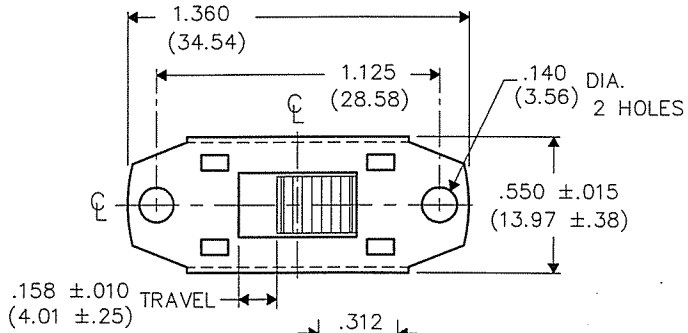
DIMENSIONS IN INCHES (MILLIMETERS)  
DO NOT SCALE DRAWING .....

Dwg. No.

GF-624-0042

E  
D  
C  
B  
A

P.C. LAYOUT



RATING:

6A. AC .5A DC 125V.

UL & CSA LISTING

1 2 3 4 5 6 7 8 9 10

B-FORMAT 2002  
REVISIONS

0  
RELEASED 11-09-15  
D&W NOV 9 2015

**CW INDUSTRIES**  
Southampton, Pa. 18966

TOLERANCES UNLESS OTHERWISE SPECIFIED.  
2 Place Decimal ±.010 METRIC  
3 Place Decimal ±.005 1 Place Dec. ±.25mm  
Angles ..... ±1° 2 Place Dec. ±.13mm

Title: STANDARD  
SLIDE  
SWITCH  
S.P./D.T.

Made for: CW IND.  
Drawn by: DGW 11-09-15  
Checked by: G. GULD 11-9-15  
Approval: G. GULD 11-9-15

Division: SWITCH  
Dwg. No. GF-624-0042

PDF FILE MADE