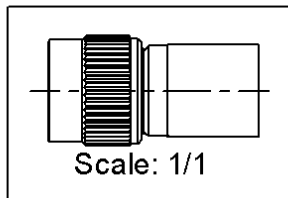
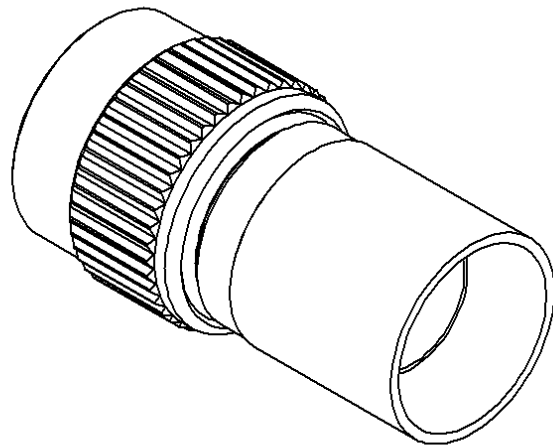
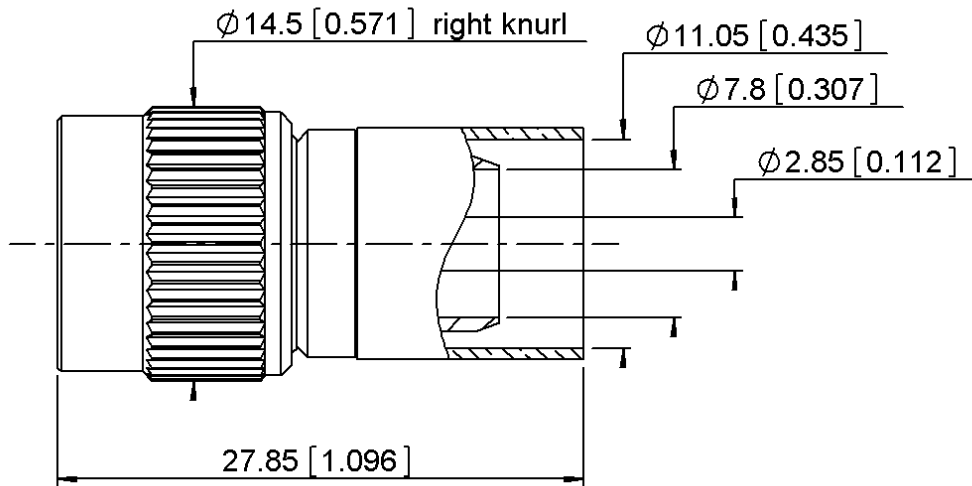


STRAIGHT PLUG FULL CRIMP

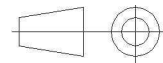
R143.089.117

CABLE 10.3/50S

Series : TNC



All dimensions are in mm.



COMPONENTS	MATERIALS	PLATING (μm)
BODY	BRASS.	BBR2
CENTER CONTACT	BRASS.	GOLD 0.5 OVER NICKEL 2
OUTER CONTACT		
INSULATOR	PTFE	
GASKET	SILICONE RUBBER	
OTHERS PARTS	BRASS/BRONZE	BBR2
-	-	-
-	-	-

Issue : 1307 A

In the effort to improve our products, we reserve the right to make changes judged to be necessary.



STRAIGHT PLUG FULL CRIMP

R143.089.117

CABLE 10.3/50S

Series : TNC

PACKAGING

Standard	Unit	Other
100	'W' option	Contact us

SPECIFICATION

ELECTRICAL CHARACTERISTICS

Impedance	50	Ω
Frequency	0-11	GHz
VSWR	TBD + 0,0000	x F(GHz) Maxi
Insertion loss	TBD	\sqrt{F} (GHz) dB Maxi
RF leakage	- (NA)	- F(GHz)) dB Maxi
Voltage rating	500	Veff Maxi
Dielectric withstanding voltage	1500	Veff mini
Insulation resistance	5000	M Ω mini

CABLE ASSEMBLY

Stripping	a	b	c	d	e	f
mm	3,00	7,50	12,0	0,00	9,00	0,00

Assembly instruction : **Crimp 01**

Recommended cable(s)
 AEP-400FR
 BELN 9913
 LMR 400 FR
 LMR 400

Characteristics indicated on this data sheet are those that can be achieved with the highest performance cable. Intrinsic limitations of the cable may diminish the performance of the assembly

Cable retention

- pull off **200** N mini
 - torque **NA** N.cm

MECHANICAL CHARACTERISTICS

Center contact retention		
Axial force – Mating end	27	N mini
Axial force – Opposite end	27	N mini
Torque	NA	N.cm mini

TOOLING

Part Number	Description	Hexagon
.	.	.
R282.231.000	CRIMPING TOOL	10.54
R282.235.116	CRIMPING DIES	
R282.293.000	CRIMPING TOOL M22520/5-01	

Recommended torque		
Mating	NA	N.cm
Panel nut	NA	N.cm
Clamp nut	NA	N.cm
A/F clamp nut	0,0000	mm

Mating life	500	Cycles mini
Weight	7,5480	g

OTHER CHARACTERISTICS

ENVIRONMENTAL

Operating temperature	-65/+165	$^{\circ}$ C
Hermetic seal	NA	Atm.cm3/s
Panel leakage	NA	

Issue : 1307 A

In the effort to improve our products, we reserve the right to make changes judged to be necessary.

