

PART NUMBER SELECTION

R 5 7 0



RF Connectors :

- 3 : SMA up to 3 GHz
- B : SMB up to 3 GHz
- C : SMC up to 3 GHz
- E : QMA up to 6 GHz (4)
- 4 : SMA up to 18 GHz
- F : SMA up to 26.5 GHz
- 8 : SMA 2.9 up to 40 GHz (5)
- 9 : DIN 1.6/5.6 up to 2.5 GHz

Type :

- 1 : Failsafe
- 2 : Failsafe + I.C.
- 3 : Latching
- 4 : Latching + I.C.
- 5 : Latching + S.C.O. (1)
- 6 : Latching + S.C.O. + I.C. (1)

Actuator Voltage :

- 2 : 12 Vdc
- 3 : 28 Vdc

Actuator Terminals :

- 0 : Solder pins

Options :

- 0 : Without option
- 1 : Positive common (2)(3)
- 3 : With suppression diodes (1)
- 4 : With suppression diodes and positive common (2)(3)

TTL Option :

- 0 : Without TTL driver
- 1 : With TTL driver (High level)(1)(2)

I.C. : Indicator contact - S.C.O. : Self Cut-Off

- (1): Suppression diodes are already included in self cut-off & TTL option
- (2): Polarity is not relevant to application for switches with TTL driver
- (3): Positive common shall be specified only with type 3, 4, 5 & 6 because failsafe switches can be used with both polarities



(4): The "QLF" trademark (Quick Lock Formula®) standard applies to QMA and QN series and guarantees the full intermateability between suppliers using this trademark. Using QLF certified connectors also guarantees the specified level of RF performances

(5): Connector SMA 2.9 is equivalent to "K connector", registered trade mark of Anritsu



Technical data sheets are available on : www.radiall.com

For more technical information, consult us / E-mail : USA : rfswitchusa@radiall.com / Rest of the world : switchingproducts@radiall.com



RF PERFORMANCES

Connectors	Frequency Range GHz		V.S.W.R. (max)	Insertion Loss (max) dB	Isolation (min) dB	Impedance Ohms
DIN 1.6/5.6	DC - 2.5	DC - 1	1.20	0.20	80	75
		1 - 2.5	1.30	0.30	70	
SMB - SMC	DC - 3	0 - 3	1.20	0.20	80	50
QMA	DC - 6	DC - 3	1.20	0.20	80	50
		3 - 6	1.30	0.30	70	
SMA	DC - 3 DC - 18 DC - 26.5	DC - 3	1.20	0.20	80	50
		3 - 8	1.30	0.30	70	
		8 - 12.4	1.40	0.40	60	
		12.4 - 18	1.50	0.50	60	
SMA 2.9	DC - 40	18 - 26.5	1.70	0.70	55	50
		26.5 - 40	1.90	0.80	50	
		DC - 6	1.30	0.30	70	
		6 - 12.4	1.40	0.40	60	
		12.4 - 18	1.50	0.50	60	

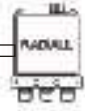
See page SPDT-16 , SPDT-20 and SPDT-21 for typical RF performances

ADDITIONAL SPECIFICATIONS

Operating mode		Failsafe		Latching	
Nominal operating voltage (across operating temperature)	Vdc	12 (10.2 to 13)	28 (24 to 30)	12 (10.2 to 13)	28 (24 to 30)
Coil resistance (+/-10%)	Ω	47.5	275	58	350
Nominal operating current at 23°C	mA	250	102	210	80
Average power	See Power Rating Chart page Intro-14				
TTL input	High Level	2.2 to 5.5 V		800 μA max 5.5 V	
	Low Level	0 to 0.8 V		20 μA max 0.8 V	
Indicator rating	1 W / 30 V / 100 mA				
Switching time (max)	ms	10			
Life (min)	SMA - SMA 2.9 - QMA	10 million cycles			
	DIN 1.6/5.6 - SMB - SMC	5 million cycles			
Connectors	SMA - SMA 2.9 - QMA - SMB - SMC - DIN 1.6/5.6				
Actuator terminals	Solder pins				
Operating temperature range	SMA - SMA 2.9 - QMA	-25 to +70 °C			
	DIN 1.6/5.6 - SMB - SMC	-40 to +85 °C			
Storage temperature range °C	SMA - SMA 2.9 - QMA	-40 to +85 °C			
	DIN 1.6/5.6 - SMB - SMC	-55 to +85 °C			
Vibration (MIL STD 202 , method 204D, cond.D)	10-2000 Hz , 20g		operating		
Shock (MIL STD 202 , method 213B, cond.C)	100g / 6 ms , ½ sine		operating		

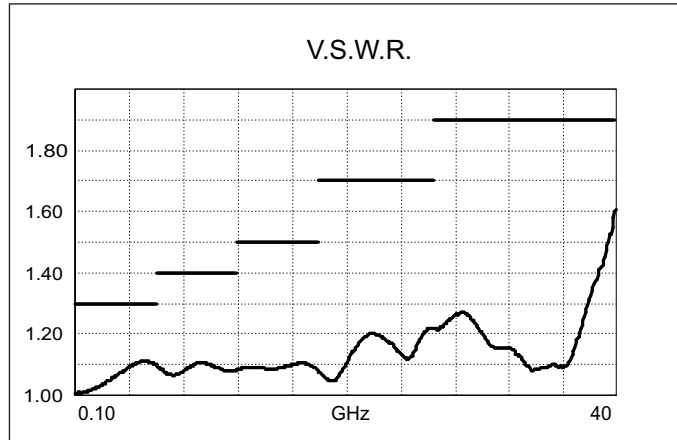
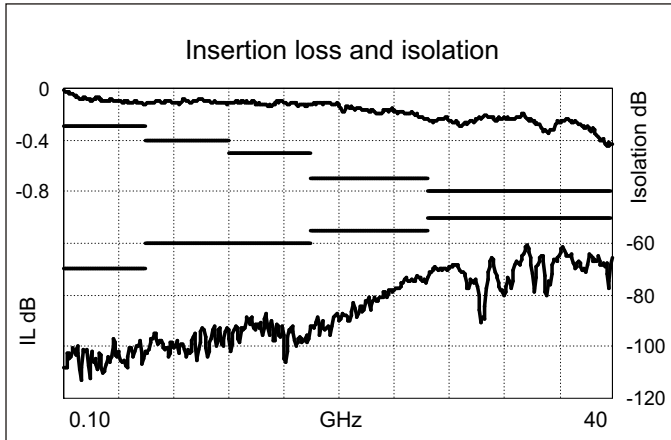
Technical data sheets are available on : www.radiall.com

For more technical information, consult us / E-mail : USA : rfswitchusa@radiall.com / Rest of the world : switchingproducts@radiall.com



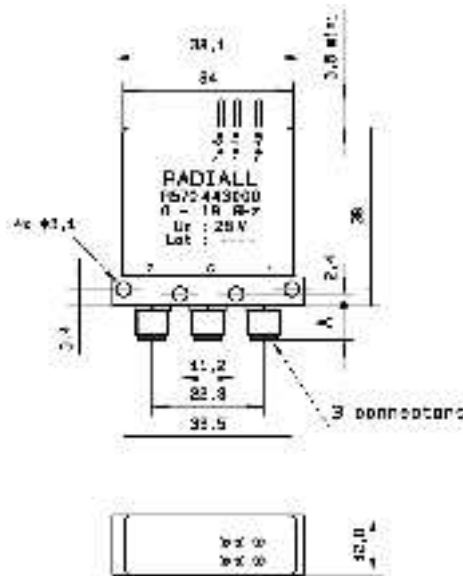
R570 AND R572 TYPICAL RF PERFORMANCES

Example : SPDT SMA 2.9 up to 40 GHz



TYPICAL OUTLINE DRAWING

Connectors	A max (mm)
SMA	7.4
SMA 2.9	6.3
SMB - SMC	9.3
QMA	10.8
DIN 1.6/5.6	11.5



See page **SPDT-29** for pin identification

Technical data sheets are available on : www.radiall.com

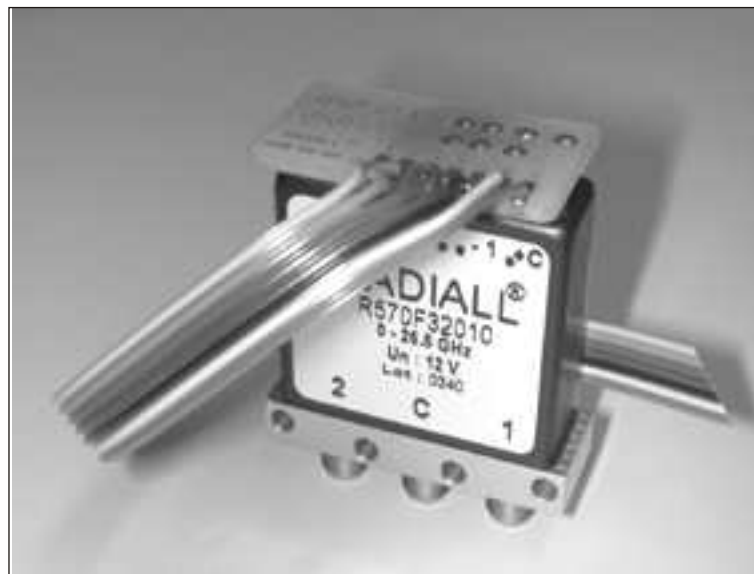
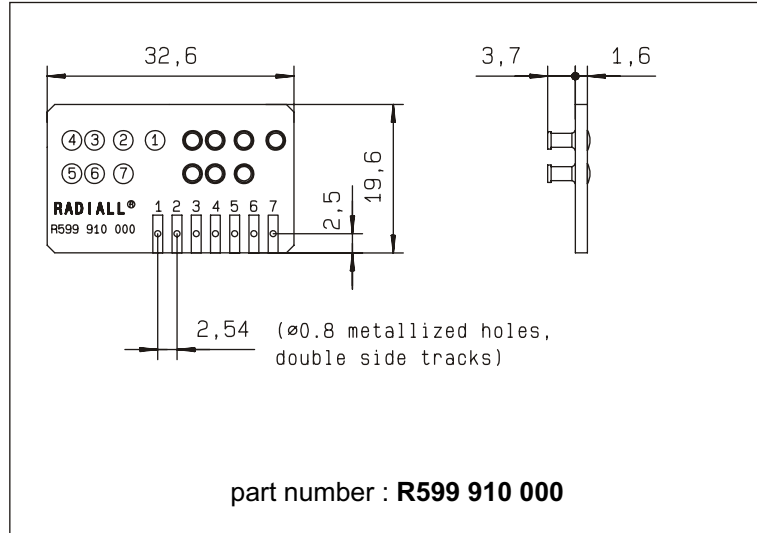
For more technical information, consult us / E-mail : USA : rfswitchusa@radiall.com / Rest of the world : switchingproducts@radiall.com



ACCESSORIES

A printed circuit board interface connector has been designed for easy mounting on terminals : it must be ordered separately.

For SPDT model R570 series :



Technical data sheets are available on : www.radiall.com

For more technical information, consult us / E-mail : USA : rfswitchusa@radiall.com / Rest of the world : switchingproducts@radiall.com