

PAGE 1/2

ISSUE 22-03-22

SERIE : SPnT

PART NUMBER : R574403840

RF CHARACTERISTICS

Number of ways : 8
 Frequency range : 0 - 18 GHz
 Impedance : 50 Ohms

| Frequency (GHz) | DC - 3 | 3 - 8 | 8 - 12.4 | 12.4 - 16 | 16 - 18 |
|--------------------|---------|---------|----------|-----------|---------|
| VSWR max | 1,20 | 1,30 | 1,40 | 1,50 | 1,60 |
| Insertion loss max | 0.20 dB | 0.30 dB | 0.40 dB | 0.55 dB | 0.60 dB |
| Isolation min | 80 dB | 70 dB | 60 dB | 60 dB | 60 dB |
| Average power (*) | 240 W | 150 W | 120 W | 110 W | 100 W |

TERMINATION IMPEDANCE : 50 Ohms
 TERM. AVG. POWER AT 25° C : 1 W per termination / 3 W total power

ELECTRICAL CHARACTERISTICS

Actuator : NORMALLY OPEN
 Nominal current ** : 102 mA
 Actuator voltage (Vcc) : 28V (24 to 30V) / POSITIVE COMMON
 Terminals : solder pins (250°C max. / 30 sec.)

MECHANICAL CHARACTERISTICS

Connectors : SMA female per MIL-C 39012
 Life : 2 million cycles per position
 Switching Time*** : < 15 ms
 Construction : Splashproof
 Weight : < 280 g

ENVIRONMENTAL CHARACTERISTICS

Operating temperature range : -40°C to +85°C
 Storage temperature range : -55°C to +85°C

(* Average power at 25°C per RF Path)

(** At 25° C ±10%)

(*** Nominal voltage ; 25° C)



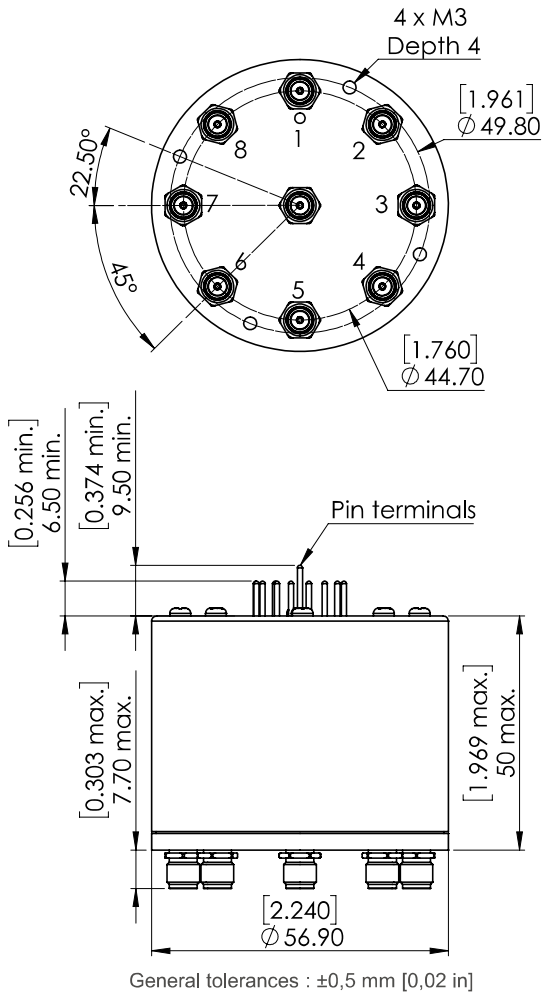
PAGE 2/2

ISSUE 22-03-22

SERIE : SPnT

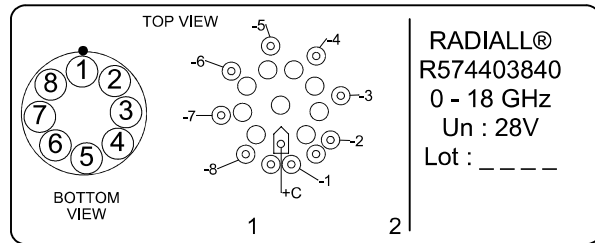
PART NUMBER : R574403840

DRAWING



| Voltage | RF Continuity |
|---------|---------------|
| +C -1 | IN ↔ 1 |
| +C -2 | IN ↔ 2 |
| +C -3 | IN ↔ 3 |
| +C -4 | IN ↔ 4 |
| +C -5 | IN ↔ 5 |
| +C -6 | IN ↔ 6 |
| +C -7 | IN ↔ 7 |
| +C -8 | IN ↔ 8 |

LABEL



SCHEMATIC DIAGRAM

