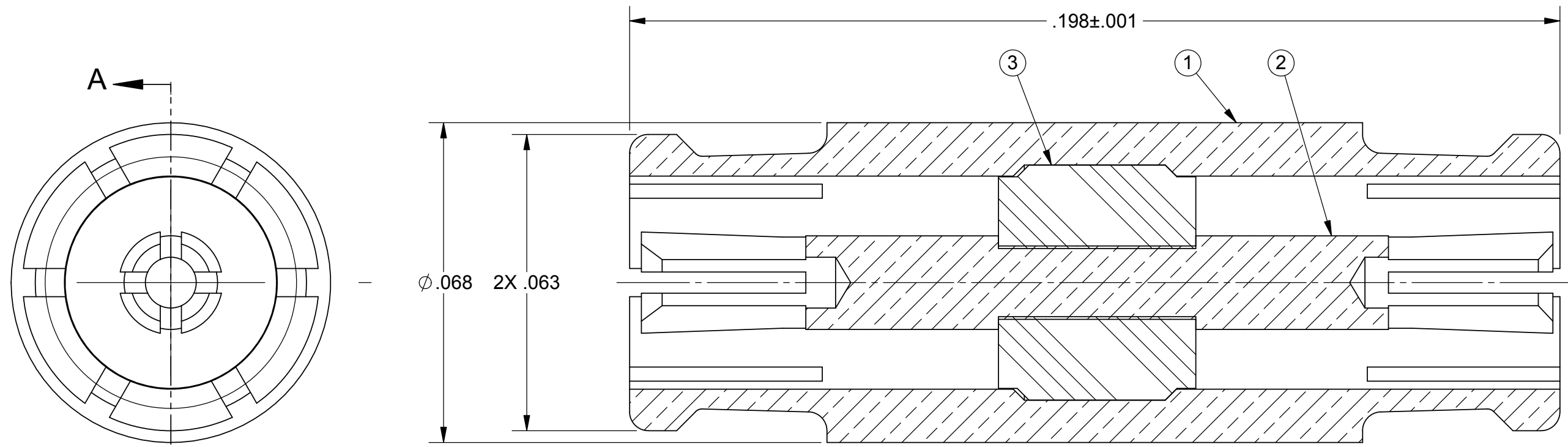
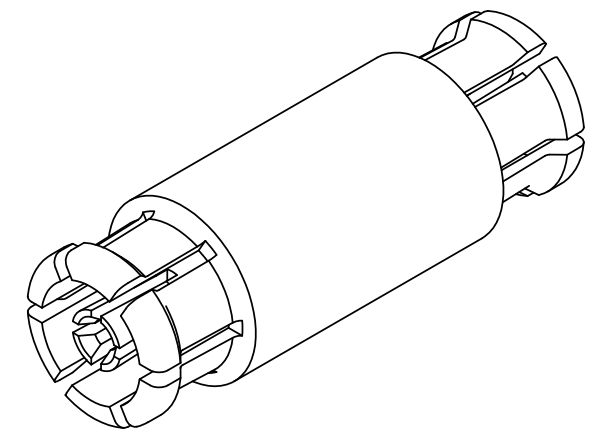


REVISION HISTORY			
REV	DESCRIPTION	DATE	APPROVED
-	NRN 41598	05/17	DAL



SECTION A-A

SEE REDLINE ON ITEM 1 BEFORE NEXT SALE DEF 06/15/17



NOTES:
1. 2X MATING END DIMENSIONS PER MD-194.

MATERIAL: PER BOM	DIMENSIONS ARE IN INCHES TOLERANCES: FRACTIONAL: ±1/64 ANGULAR: X° ±1'0" DECIMAL: X ±.030 .XX ±.010 .XXX ±.005	UNLESS OTHERWISE SPECIFIED 1) ALL DIMENSIONS ARE AFTER PLATING. 2) BREAK CORNERS & EDGES .005 R. MAX. 3) CHAM. 1ST & LAST THREADS. 4) SURFACE ROUGHNESS 63 √ MIL-STD-10. 5) DIA.'S ON COMMON CENTERS TO BE CONCENTRIC WITHIN .005 T.I.R. 6) REMOVE ALL BURRS	SV Microwave, Inc. 2400 Centrepark West Drive, Suite 100 West Palm Beach, FL 33409
FINISH: PER BOM	INTERPRET DIMENSIONS AND TOLERANCES PER ASME Y14.5M - 1994	DRAWN: DEF 05/18/17	TITLE: ADAPTOR SMPS FEMALE TO FEMALE
PROPRIETARY THE INFORMATION CONTAINED IN THIS DRAWING IS THE SOLE PROPERTY OF SV MICROWAVE, INC. ANY REPRODUCTION IN PART OR AS A WHOLE WITHOUT THE WRITTEN PERMISSION OF SV MICROWAVE, INC IS PROHIBITED.	THIRD ANGLE PROJECTION 	CHECKED: DAL 05/18/17	SIZE: B CAGE CODE: 95077 DWG. NO. 1138-4040
		APPROVED: DAL 05/18/17	SCALE: 40:1 SHEET 1 OF 2
		E.M. SIMULATION: N/A	