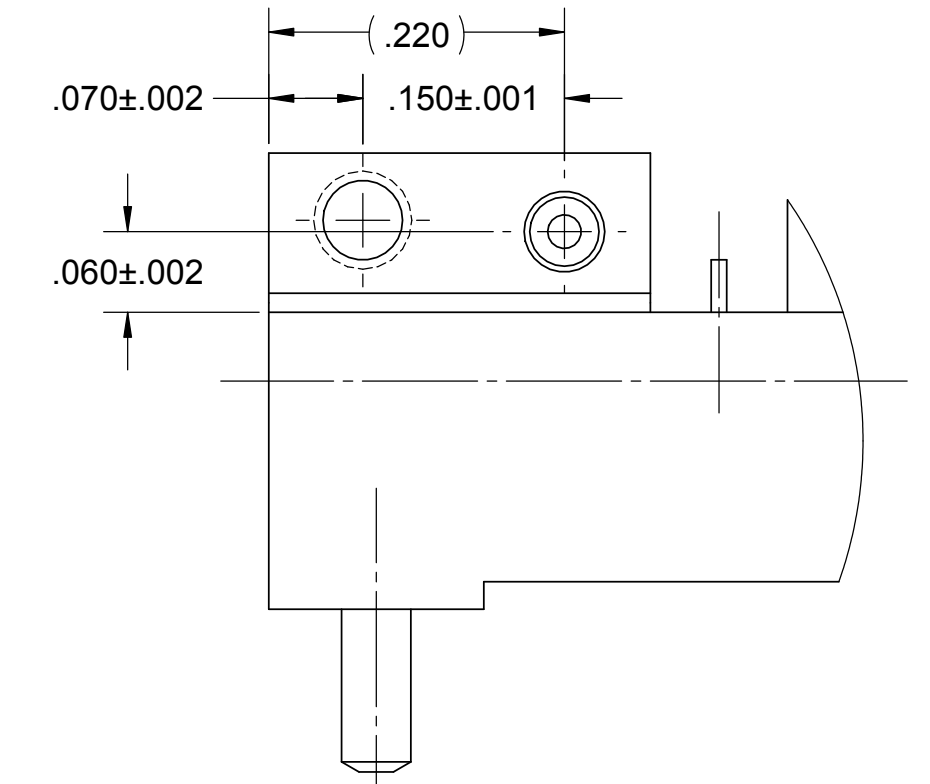
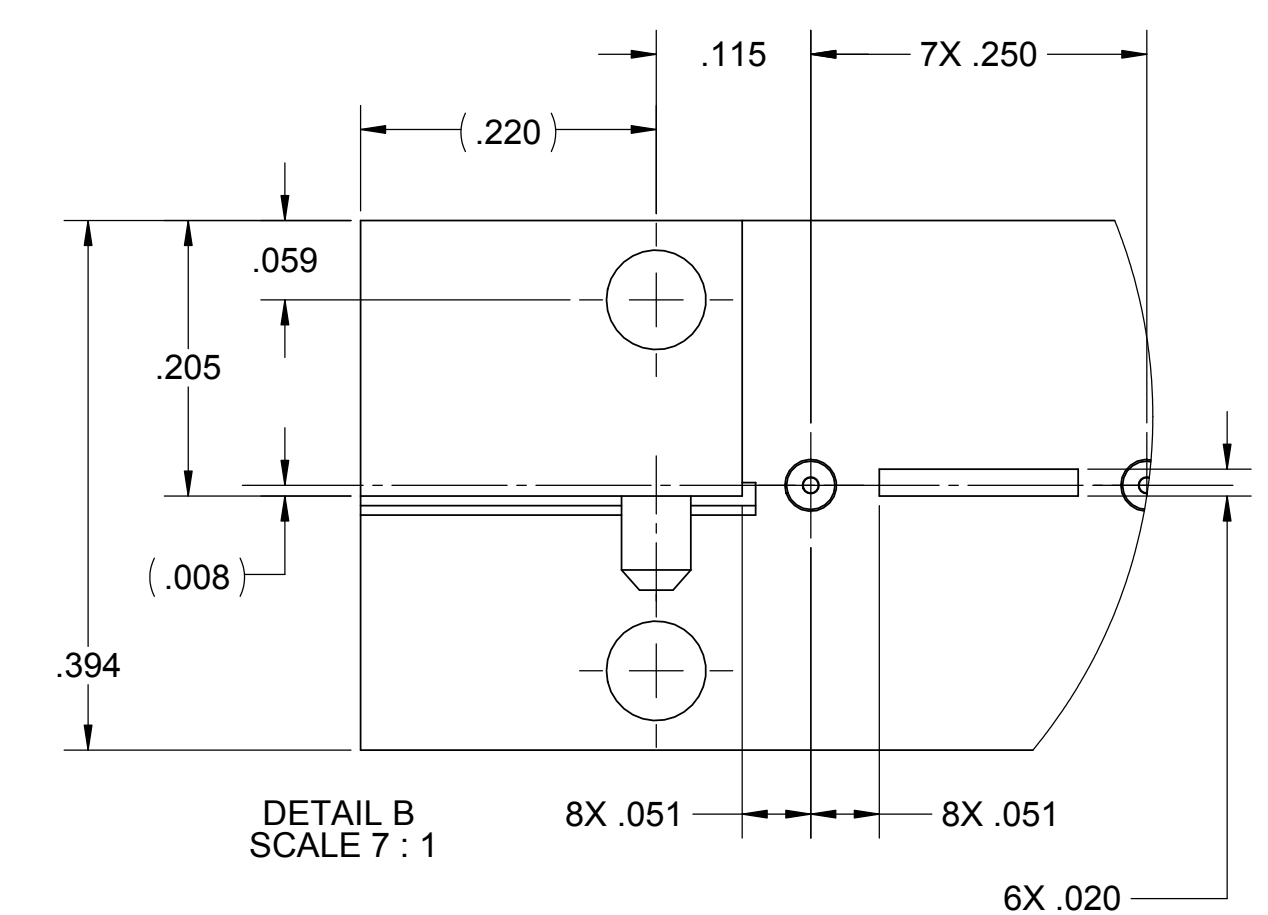
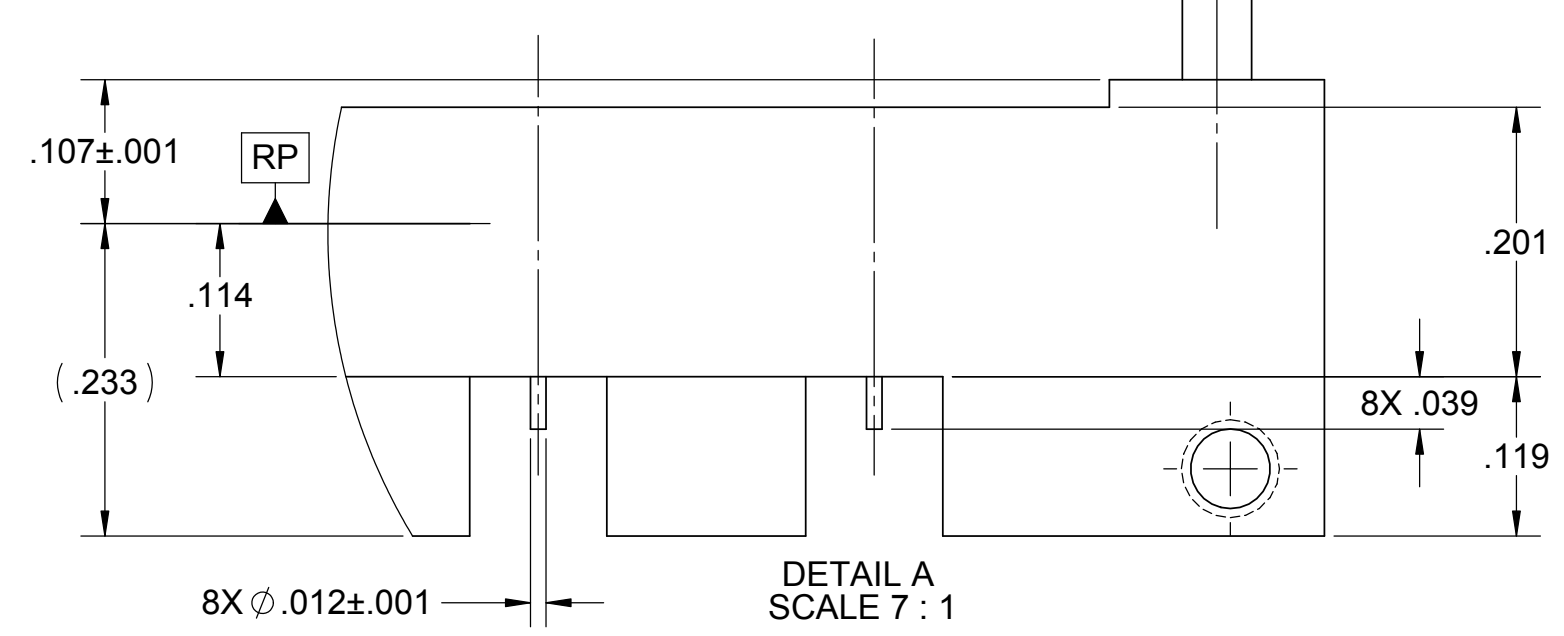
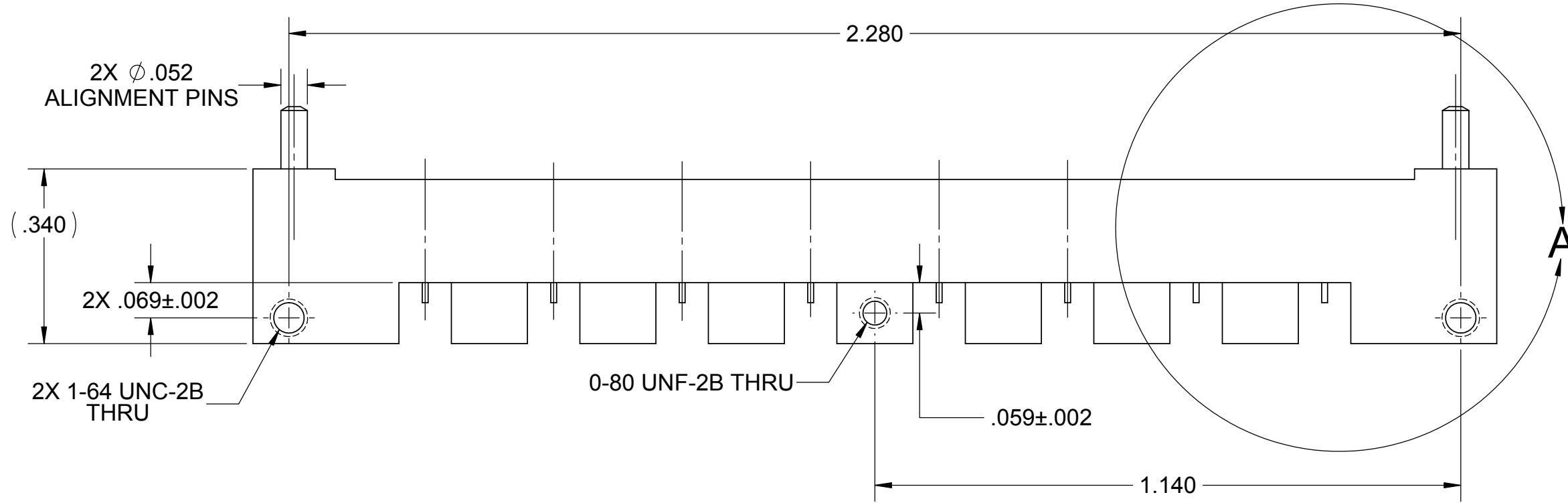


# PRODUCT DATA DRAWING

REVISION HISTORY			
REV.	DESCRIPTION	DATE	APPROVED
-	NRN 40631	05/16	STW



**MATERIAL:**

BODY & SHROUDS: STAINLESS STEEL PER AMS-5640, ALLOY UNS S30300, TYPE 1; OR ASTM A582 TYPE 303, COND. A

CONTACTS: BERYLLIUM COPPER PER ASTM B196, ALLOY No. UNS C17300, TD04

INSULATORS: PTFE PER ASTM D1710, TYPE I, GRADE 1, CLASS B

**FINISH:**

BODY, SHROUDS, & CONTACTS: GOLD PER ASTM B488, TYPE II, CODE C, CLASS 0.76, OVER NICKEL PER AMS-QQ-N-290, CLASS 1, .00010" MIN.

**PERFORMANCE:**

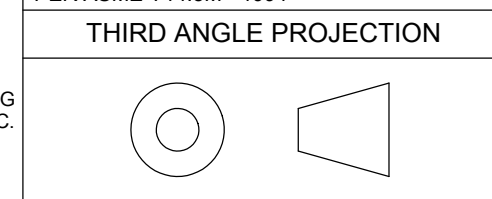
IMPEDANCE: 50 OHMS  
FREQ. RANGE: DC TO 65 GHz.

**NOTES:**

- FOR A FOOTPRINT RECOMMENDATION SPECIFIC TO YOUR PCB, PLEASE CONTACT US AT [applications@svmicro.com](mailto:applications@svmicro.com)

MATERIAL:	SEE NOTES
FINISH:	SEE NOTES
DO NOT SCALE DRAWING	
<b>PROPRIETARY</b>	
<small>THE INFORMATION CONTAINED IN THIS DRAWING IS THE SOLE PROPERTY OF SV MICROWAVE, INC. ANY REPRODUCTION IN PART OR AS A WHOLE WITHOUT THE WRITTEN PERMISSION OF SV MICROWAVE, INC. IS PROHIBITED.</small>	

DIMENSIONS ARE IN INCHES  
TOLERANCES:  
ANGULAR: ±1°  
ONE PLACE DECIMAL ±.030  
TWO PLACE DECIMAL ±.010  
THREE PLACE DECIMAL ±.005  
INTERPRET DIMENSIONS AND TOLERANCES PER ASME Y14.5M - 1994

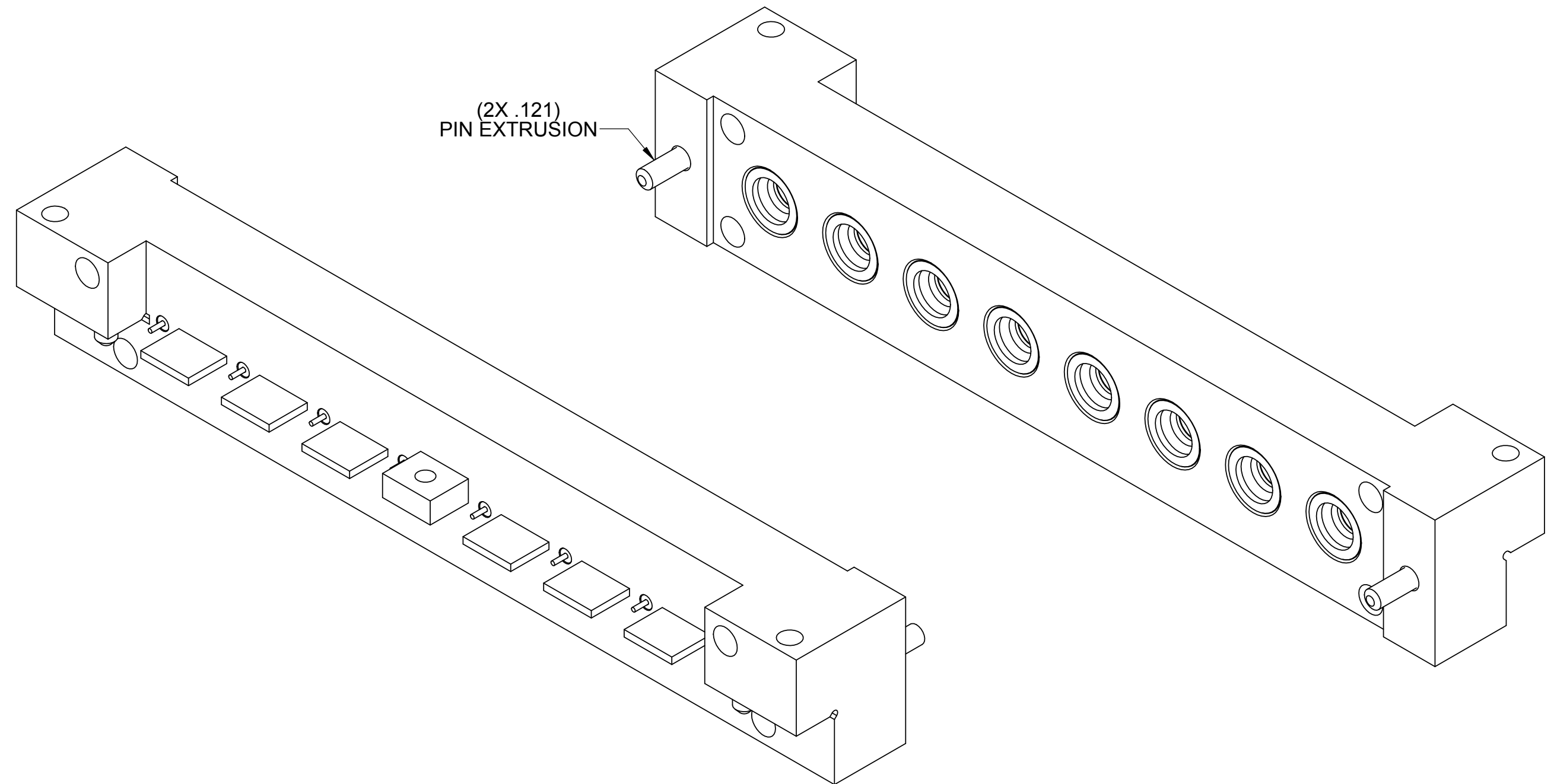
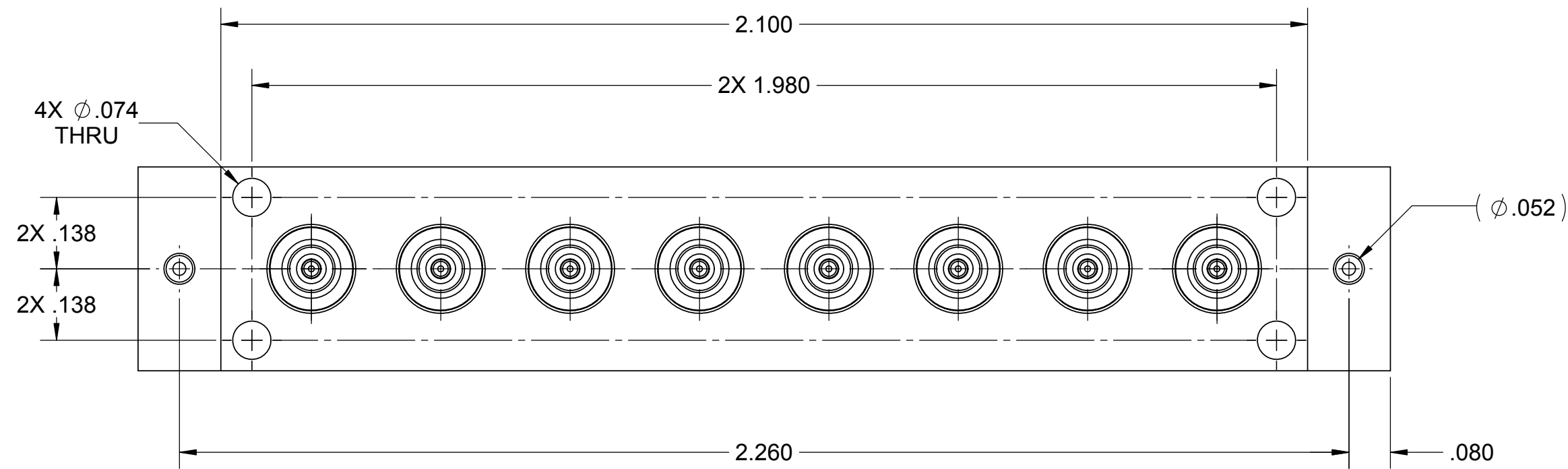


UNLESS OTHERWISE SPECIFIED:	
<ol style="list-style-type: none"> <li>ALL DIMENSIONS ARE AFTER PLATING.</li> <li>BREAK CORNERS &amp; EDGES R.005 MAX.</li> <li>CHAMFER 1ST AND LAST THREAD.</li> <li>SURFACE ROUGHNESS 63 PER MIL-STD-10.</li> <li>DIA'S ON COMMON CENTERS TO BE CONCENTRIC WITHIN .005 T.I.R.</li> <li>REMOVE ALL BURRS.</li> </ol>	
DRAWN:	FED 05/27/16
CHECKED:	STW 05/27/16
APPROVED:	STW 05/27/16
E.M. SIMULATION:	

<b>SV Microwave, Inc.</b> 2400 Centrepark West Drive, Suite 100 West Palm Beach, FL 33409			
TITLE: <b>SMPM FD MALE 8-PORT EDGE LAUNCH</b>			
SIZE	CAGE CODE	DWG. NO.	
C	95077	3211-60181	
SCALE: 4:1		SHEET 1 OF 2	

# PRODUCT DATA DRAWING

REVISION HISTORY			
REV.	DESCRIPTION	DATE	APPROVED
	SEE SHEET 1		



MATERIAL:	SEE NOTES
FINISH:	SEE NOTES
DO NOT SCALE DRAWING	
<b>PROPRIETARY</b>	
<small>THE INFORMATION CONTAINED IN THIS DRAWING IS THE SOLE PROPERTY OF SV MICROWAVE, INC. ANY REPRODUCTION IN PART OR AS A WHOLE WITHOUT THE WRITTEN PERMISSION OF SV MICROWAVE, INC. IS PROHIBITED.</small>	

<small>DIMENSIONS ARE IN INCHES TOLERANCES: ANGULAR: <math>\pm</math>1° ONE PLACE DECIMAL <math>\pm</math>.030 TWO PLACE DECIMAL <math>\pm</math>.010 THREE PLACE DECIMAL <math>\pm</math>.005 INTERPRET DIMENSIONS AND TOLERANCES PER ASME Y14.5M - 1994</small>	
THIRD ANGLE PROJECTION	

<small>UNLESS OTHERWISE SPECIFIED: 1. ALL DIMENSIONS ARE AFTER PLATING. 2. BREAK CORNERS &amp; EDGES R.005 MAX. 3. CHAMFER 1ST AND LAST THREAD. 4. SURFACE ROUGHNESS 63 PER MIL-STD-10. 5. DIA'S ON COMMON CENTERS TO BE CONCENTRIC WITHIN .005 T.I.R. 6. REMOVE ALL BURRS.</small>	
DRAWN:	FED 05/27/16
CHECKED:	STW 05/27/16
APPROVED:	STW 05/27/16
E.M. SIMULATION:	

<b>SV Microwave, Inc.<sup>®</sup></b> <small>2400 Centrepark West Drive, Suite 100 West Palm Beach, FL 33409</small>			
<b>TITLE:</b> <b>SMPM FD MALE 8-PORT EDGE LAUNCH</b>			
SIZE	CAGE CODE	DWG. NO.	
C	95077	3211-60181	
SCALE: 4:1		SHEET 2 OF 2	