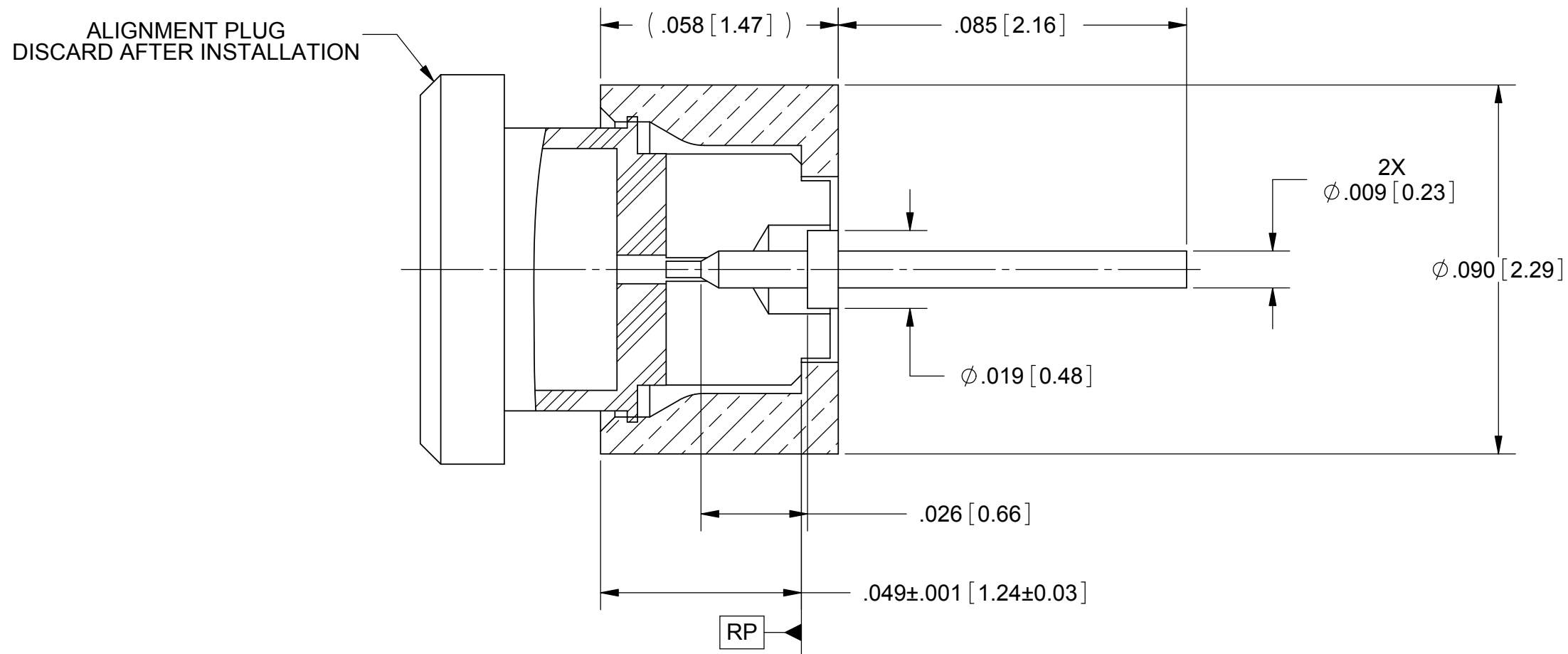


PRODUCT DATA DRAWING

REVISION HISTORY			
REV	DESCRIPTION	DATE	APPROVED
A	ADDED CONTACT DIMENSIONS	05/10	DAL
B	REV. DCN 37673	07/26/10	PJS
C	REV. DDCN 40056	09/12/13	STW



NOTES:

- FOR A FOOTPRINT RECOMMENDATION SPECIFIC TO YOU PCB, PLEASE CONTACT US AT applications@svmicro.com

MATERIAL:

BODY & CONTACT: BERYLLIUM COPPER PER ASTM B196, ALLOY No. UNS C17300, TD04.

ALIGNMENT PLUG: PTFE PER ASTM D1710

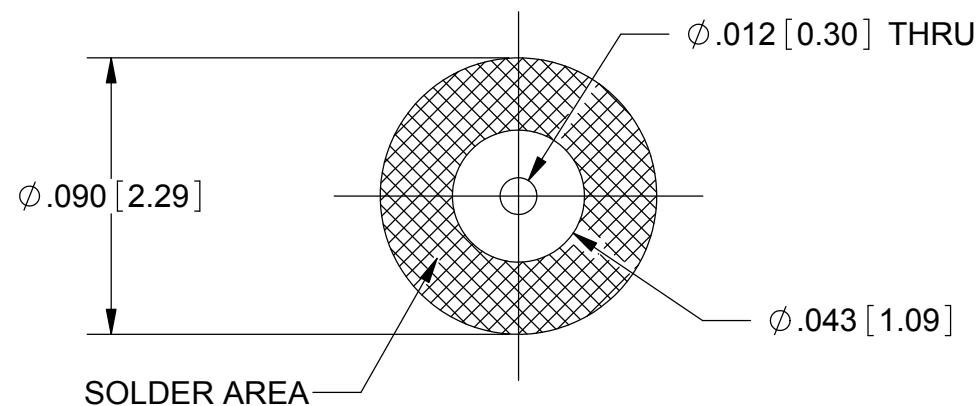
FINISH:

BODY & CONTACT: GOLD PER ASTM B488, TYPE II, CODE C, CLASS 1.27, OVER NICKEL PER AMS-QQ-N-290, CLASS 1, .00005" MIN.

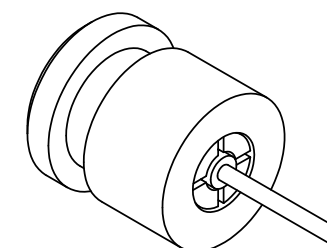
PERFORMANCE:

IMPEDANCE: 50 OHMS.
OPERATING TEMP.: -55°C TO +125°C.

ENGAGEMENT: 1.6 LBS TYPICAL.
DISENGAGEMENT: 0.50 LBS TYPICAL.



RECOMMENDED PCB LAYOUT



MATERIAL: SEE NOTES	DIMENSIONS ARE IN INCHES TOLERANCES: FRACTIONAL: ±1/64 ANGULAR: X° ±1'0" X"X' ±15'	UNLESS OTHERWISE SPECIFIED 1) ALL DIMENSIONS ARE IN INCHES (MILLIMETERS) 2) ALL DIMENSIONS ARE AFTER PLATING. 3) BREAK CORNERS & EDGES .005 R. MAX. 4) CHAM. 1ST & LAST THREADS. 5) SURFACE ROUGHNESS 63-MIL-STD-10. 6) DIA.'S ON COMMON CENTERS TO BE CONCENTRIC WITHIN .005 T.I.R. 7) REMOVE ALL BURRS	SV Microwave, Inc. 2400 Centrepark West Drive, Suite 100 West Palm Beach, FL 33409
FINISH: SEE NOTES	DECIMAL: X ±.030 .XX ±.010 .XXX ±.005	INTERPRET DIMENSIONS AND TOLERANCES PER ASME Y14.5M - 1994	TITLE: SMPS SB MALE SURFACE MOUNT
SURFACE AREA: N/A	THIRD ANGLE PROJECTION	DRAWN: JMC 12/18/09	SIZE: B CAGE CODE: 95077 DWG. NO.: 3811-40005
PROPRIETARY THE INFORMATION CONTAINED IN THIS DRAWING IS THE SOLE PROPERTY OF SV MICROWAVE, INC. ANY REPRODUCTION IN PART OR AS A WHOLE WITHOUT THE WRITTEN PERMISSION OF SV MICROWAVE, INC IS PROHIBITED.		CHECKED: STW 05/03/10 APPROVED: STW 05/03/10	SCALE: 30:1 SHEET 1 OF 1