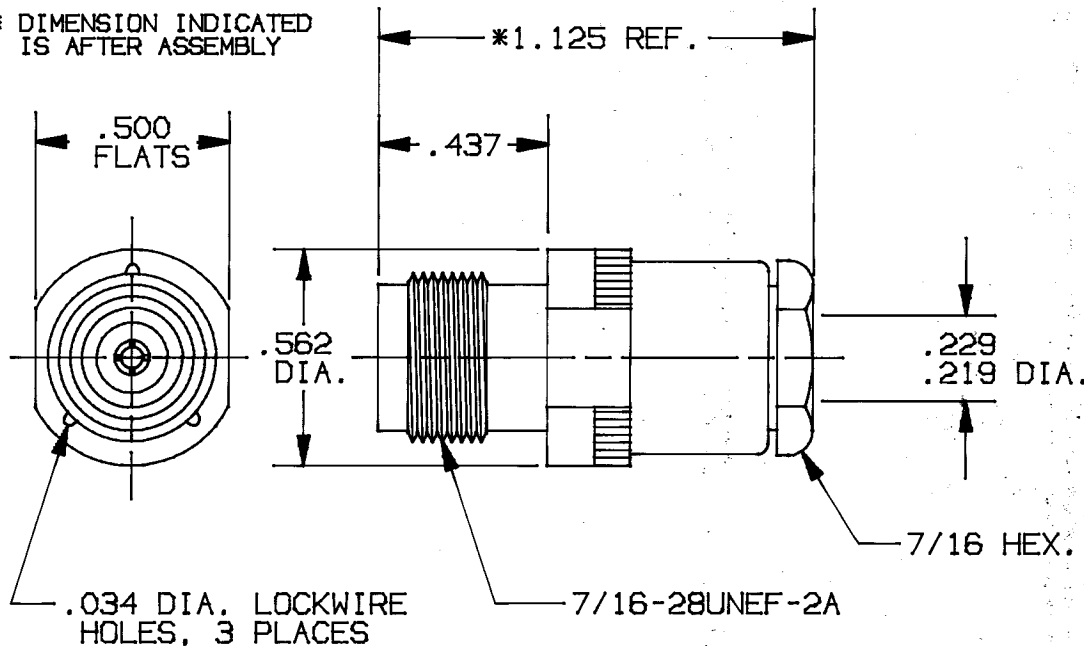


ENG. FILE COPY

CONFIGURATION (TOLERANCE +/- .005 UNLESS OTHERWISE SPECIFIED)

* DIMENSION INDICATED IS AFTER ASSEMBLY



TNC JACK FOR RG-55, 58, 141, 142 AND 223 CABLES

DWG. NO.

4025-0002

ELECTRICAL:

NOMINAL IMPEDANCE (OHMS)	50
FREQUENCY RANGE (GHZ)	DC TO 15.0
VOLTAGE RATING (MAX. VRMS)	335
VSWR (MAX.)	1.10 + .015 X FGHz
INSERTION LOSS (DB MAX.)	.05
RF LEAKAGE (MIN. DB DOWN)	100 DB - FGHz
RF HIGH POTENTIAL (MAX. VRMS)	670 AT 5 MHz
DIELECTRIC WITHSTANDING VOLT. (MAX. VRMS)	1000
INSULATION RESISTANCE (MIN. MEGOHMS)	5000
CONTACT RESISTANCE:	
CENTER CONTACT (MAX. MILLIOHMS)	1.5
OUTER CONTACT (MAX. MILLIOHMS)	.2

MECHANICAL:

INTERFACE DIMENSIONS	PER MIL-C-39012/TNC SERIES & S/M MD-108
RECOMMENDED MATING TORQUE	6-10 In. lbs
CENTER CONTACT AXIAL FORCES:	
INSERTION (MAX. OUNCES)	32.0
WITHDRAWAL (MIN. OUNCES)	2.0
CONNECTOR DURABILITY (MIN. CYCLES)	500
CONNECTOR ENGAGEMENT & DISENGAGEMENT (AXIAL FORCE - MAX. INCH LBS.)	
	2.0
CENTER CONTACT CAPTIVATION	N/A

ENVIRONMENTAL:

TEMP. RATING (DEGREES CENTIGRADE)	-65° TO +165°C
VIBRATION (MIL-STD-202, METHOD 204, CONDITION D, 20G'S)	
SHOCK (MIL-STD-202, METHOD 213, COND. I, 100G'S)	
TEMP. CYCLING (MIL-STD-202, METHOD 107, COND. B, -65°C TO 200° C)	
MOISTURE RESISTANCE (MIL-STD-202, METHOD 106, LESS STEP 7B)	
BAROMETRIC PRESSURE (ALTITUDE) MIL-STD-202, METHOD 105, COND. C, 70,000 FT., 250 VRMS)	
HERMETICITY	N/A
CABLE ASSEMBLY INSTRUCTIONS PER S/M 300-80-023.	

MATERIAL & FINISH:

BODY, CLAMP NUT, CLAMP & BUSHING: BRASS PER QQ-B-626, 1/2 H, ALLOY 360, SILVER PLATING WITH IRIDITE PER QQ-S-365, TYPE 1, GRADE A.

CONTACT: BERYLLIUM COPPER PER QQ-C-530, COND H, ALLOY 173, GOLD PLATED PER MIL-G-45204, TYPE 1, GRADE C, CLASS 2; OVER COPPER PER MIL-C-14550, CLASS 4.

WASHER: BRASS PER QQ-B-613, 1/2 H, ALLOY 360, SILVER WITH IRIDITE PER QQ-S-365, TYPE 1, GRADE A.

INSULATOR: TEFLON PER ASTM-D1710 & L-P-403, TYPE 1.

O-RING: SILICONE RUBBER PER ZZ-R-765, CLASS IIB, GRADE 50-60.

SYM.	DESCRIPTION	DATE	APPR.	DRAWN:	APPROVED:
-	REL.F-11721	1/90	RG	D.CARNES	RG
				DATE 1/4/90	DATE 1/9/90

SOLITRON MICROWAVE
1167 BLUE HERON BLVD.
RIVIERA BEACH, FL. 33404

DWG. NO.

4025-0002