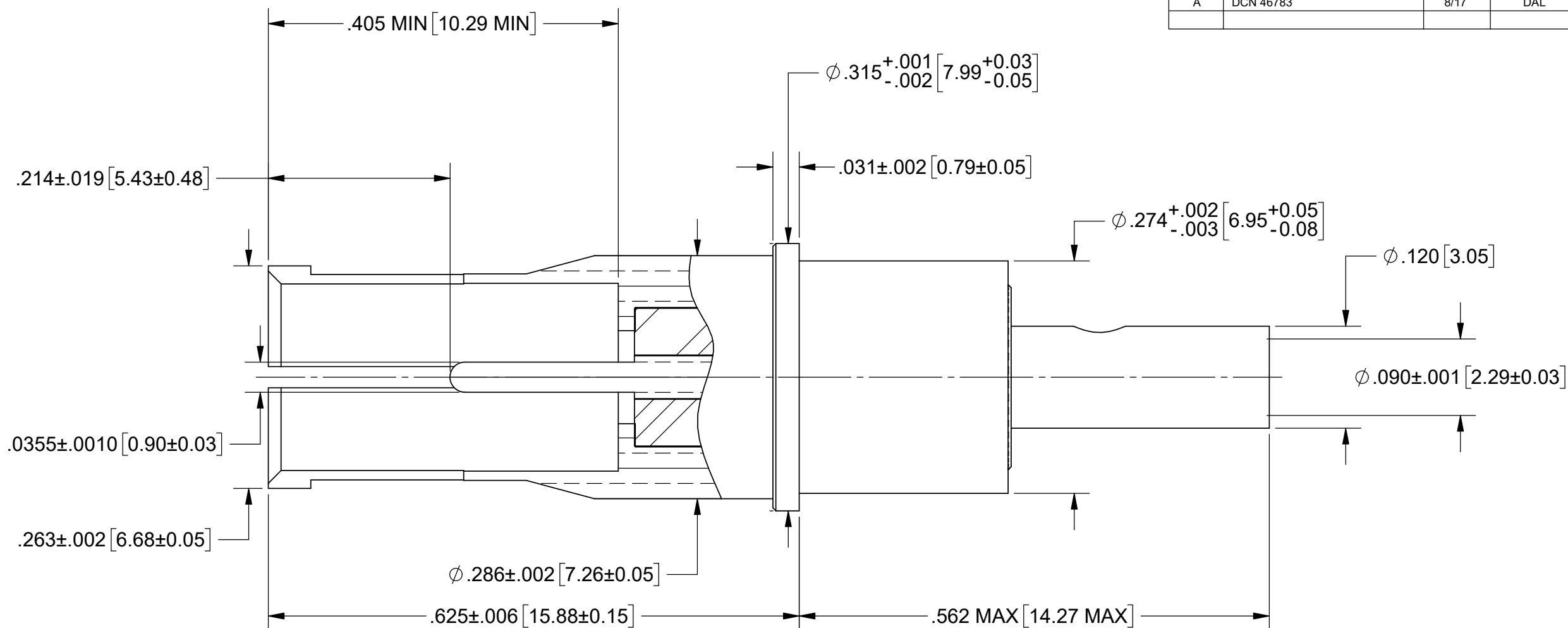


PRODUCT DATA DRAWING

REVISION HISTORY			
REV	DESCRIPTION	DATE	APPROVED
-	DCN 39067	05/12	STW
A	DCN 46783	8/17	DAL



MATERIAL:

BODY, FERRULE & CONTACT:

BERYLLIUM COPPER PER ASTM B196, ALLOY No. UNS C17300, TD04

INSULATORS:

PTFE PER ASTM D1710, TYPE I, GRADE 1, CLASS B

SHRINK TUBING:

M23053/5-105-0

FINISH:

BODY, FERRULE & CONTACT:

GOLD PER ASTM B488, TYPE II, CODE C, CLASS 1.27, OVER NICKEL PER AMS-QQ-N-290, CLASS 1, .00005" MIN.

PERFORMANCE:

IMPEDANCE: 50 OHMS
 FREQ. RANGE: DC TO 3.0 GHz
 VSWR: 1.20 + .04 X F (F IN GHz)
 INSERTION LOSS: .11 X SQRT(F(F IN GHz))
 DWV: 1000 VRMS MIN.
 INSUL. RES.: 5000 MEGAOHMS MIN.

MATERIAL: SEE NOTES	DIMENSIONS ARE IN INCHES TOLERANCES: FRACTIONAL: ±1/64 ANGULAR: X° ±1'0" X"X' ±15'	UNLESS OTHERWISE SPECIFIED 1) ALL DIMENSIONS ARE IN INCHES (MILLIMETERS) 2) ALL DIMENSIONS ARE AFTER PLATING. 3) BREAK CORNERS & EDGES .005 R. MAX. 4) CHAM. 1ST & LAST THREADS. 5) SURFACE ROUGHNESS 63-MIL-STD-10. 6) DIA.'S ON COMMON CENTERS TO BE CONCENTRIC WITHIN .005 T.I.R. 7) REMOVE ALL BURRS	SV Microwave, Inc. 2400 Centrepark West Drive, Suite 100 West Palm Beach, FL 33409
FINISH: SEE NOTES	DECIMAL: .X ±.030 .XX ±.010 .XXX ±.005	INTERPRET DIMENSIONS AND TOLERANCES PER ASME Y14.5M - 1994	TITLE: SIZE 8 SOCKET FOR T-FLEX 405 CABLE
SURFACE AREA: N/A	THIRD ANGLE PROJECTION	DRAWN: FSG 05/10/12	SIZE B CAGE CODE 95077 DWG. NO. 8001-4108
PROPRIETARY THE INFORMATION CONTAINED IN THIS DRAWING IS THE SOLE PROPERTY OF SV MICROWAVE, INC. ANY REPRODUCTION IN PART OR AS A WHOLE WITHOUT THE WRITTEN PERMISSION OF SV MICROWAVE, INC IS PROHIBITED.		CHECKED: STW 05/10/12	SCALE: 4:1
		APPROVED: STW 05/10/12	SHEET 1 OF 1