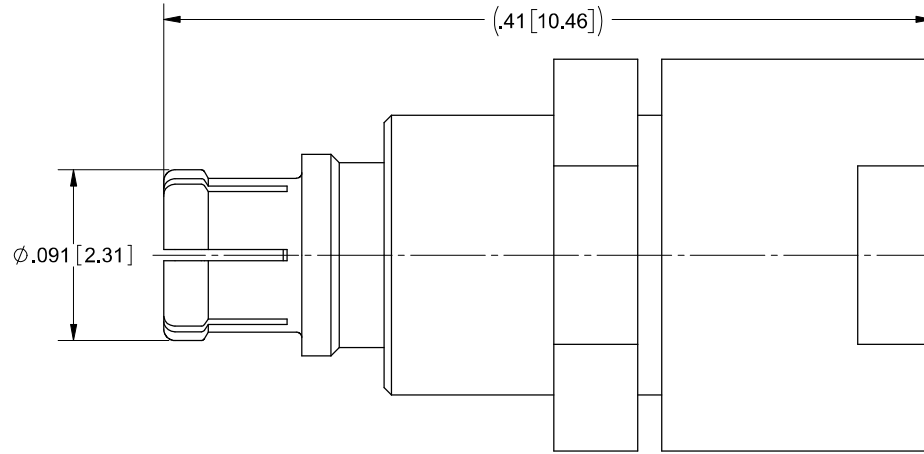
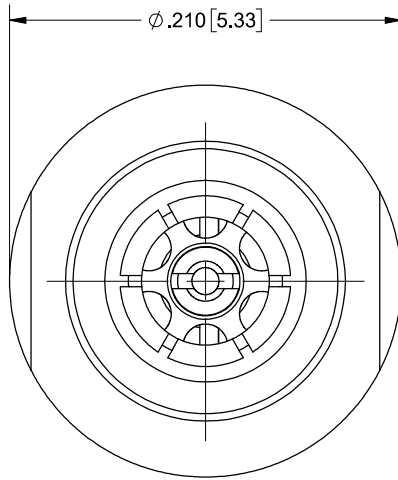


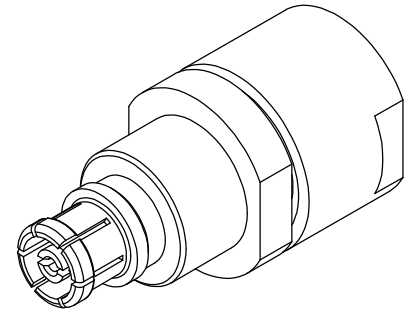
ROHS NON-COMPLIANT

# PRODUCT DATA DRAWING

REVISION HISTORY			
REV	DESCRIPTION	DATE	APPROVED
-	REL. NRN 41618	06/02/17	STW



- MATERIAL:**
- BODY, SLEEVES & CONTACT:** BERYLLIUM COPPER PER ASTM B196, ALLOY No. UNS C17300, TD04.
- CAP:** STAINLESS STEEL PER AMS 5640 ALLOY UNS S30300 TYPE 1 OR ASTM A582, TYPE 303, CONDITION A .
- INSULATOR:** POLYETHERIMIDE (ULTEM 1000) PER ASTM D5205.
- BELLOWS SPRING:** ELECTRO-DEPOSITED NICKEL: GOLD PLATED
- RESISTOR ELEMENT:** ALUMINUM NITRIDE SUBSTRATE WITH TANTALUM NITRIDE RESISTOR WITH GOLD PLATED TERMINALS.
- FINISH:**
- BODY, SLEEVES & CONTACT:** GOLD PER ASTM B488, TYPE II, CODE C, CLASS 1.27, OVER NICKEL PER AMS-QQ-N-290, CLASS 1, .00005" MIN.
- CAP:** PASSIVATED PER AMS 2700
- PERFORMANCE:**
- IMPEDANCE:** 50 OHMS
- FREQ. RANGE:** DC TO 40.0 GHz
- VSWR:** 1.15 + .011(F (F in GHz)):1 DC TO 40.0 GHz



<b>MATERIAL:</b> SEE NOTES	<b>DIMENSIONS ARE IN INCHES TOLERANCES:</b> FRACTIONAL: ±1/64 ANGULAR: X° ±1'0" X"X' ±10"	<b>UNLESS OTHERWISE SPECIFIED</b> 1) ALL DIMENSIONS ARE IN INCHES (MILLIMETERS) 2) ALL DIMENSIONS ARE AFTER PLATING 3) BREAK CORNERS & EDGES .005 R. MAX. 4) CHAM. 1ST & LAST THREADS. 5) SURFACE ROUGHNESS 63-MIL-STD-10. 6) DIA'S ON COMMON CENTERS TO BE CONCENTRIC WITHIN .002 T.A.R. 7) REMOVE ALL BURRS	<b>SV Microwave, Inc.</b> 2400 Centrepark West Drive, Suite 100 West Palm Beach, FL 33409
<b>FINISH:</b> SEE NOTES	DECIMAL: .X ±.030 .XX ±.010 .XXX ±.005	<b>INTERPRET DIMENSIONS AND TOLERANCES PER ASME Y14.5M - 1994</b>	<b>TITLE:</b> SMPM FEMALE 1/2 W TERMINATION
<b>SURFACE AREA:</b> N/A	<b>THIRD ANGLE PROJECTION</b>	<b>DRAWN:</b> JMC 06/02/17	<b>SIZE   CAGE CODE   DWG. NO.</b> B   95077   8032-4018
<b>PROPRIETARY</b> THE INFORMATION CONTAINED IN THIS DRAWING IS THE SOLE PROPERTY OF SV MICROWAVE, INC. ANY REPRODUCTION IN PART OR AS A WHOLE WITHOUT THE WRITTEN PERMISSION OF SV MICROWAVE, INC IS PROHIBITED.		<b>CHECKED:</b> STW 06/02/17	<b>SCALE:</b> 15:1
		<b>APPROVED:</b> STW 06/02/17	<b>SHEET 1 OF 1</b>