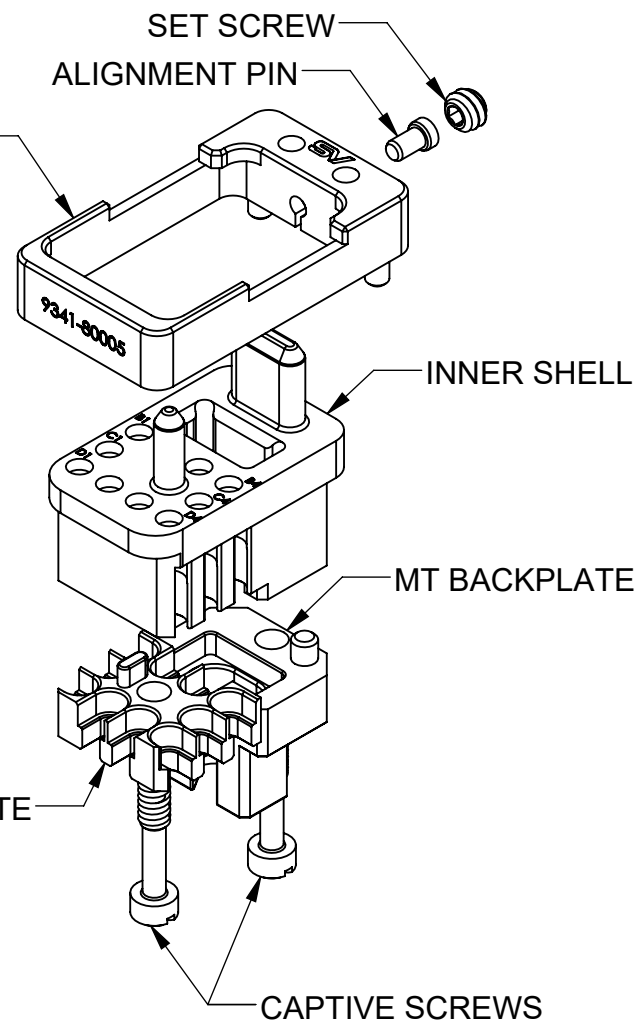
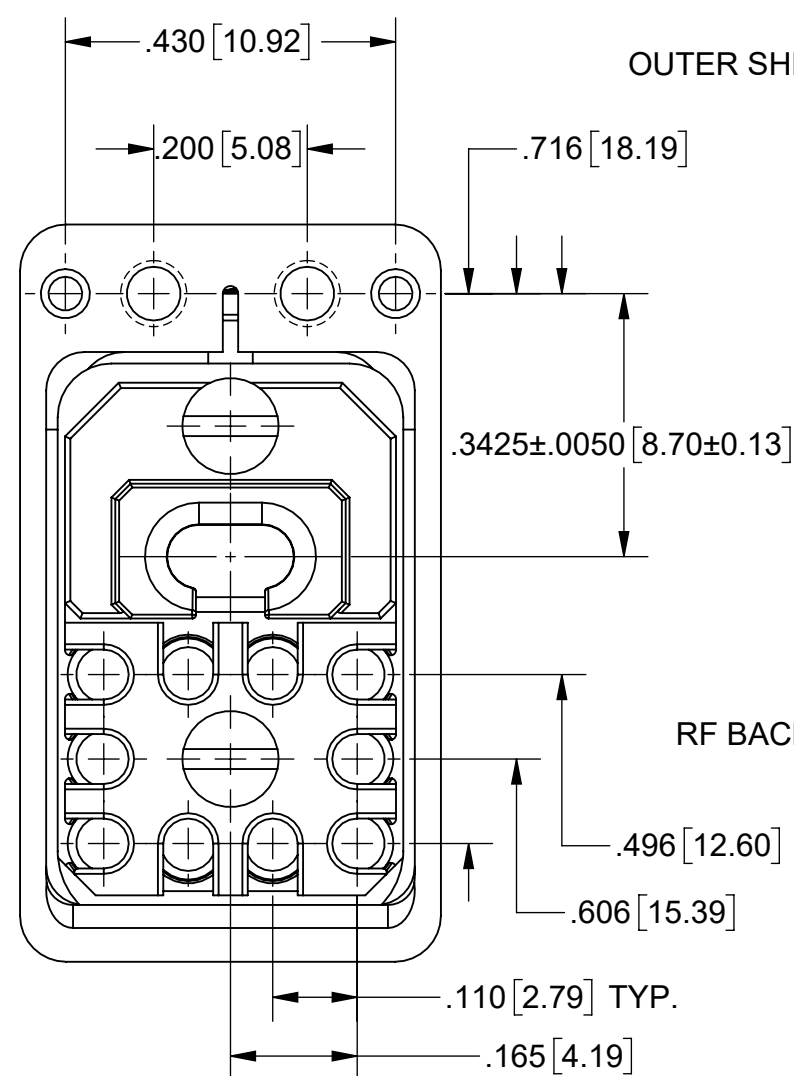
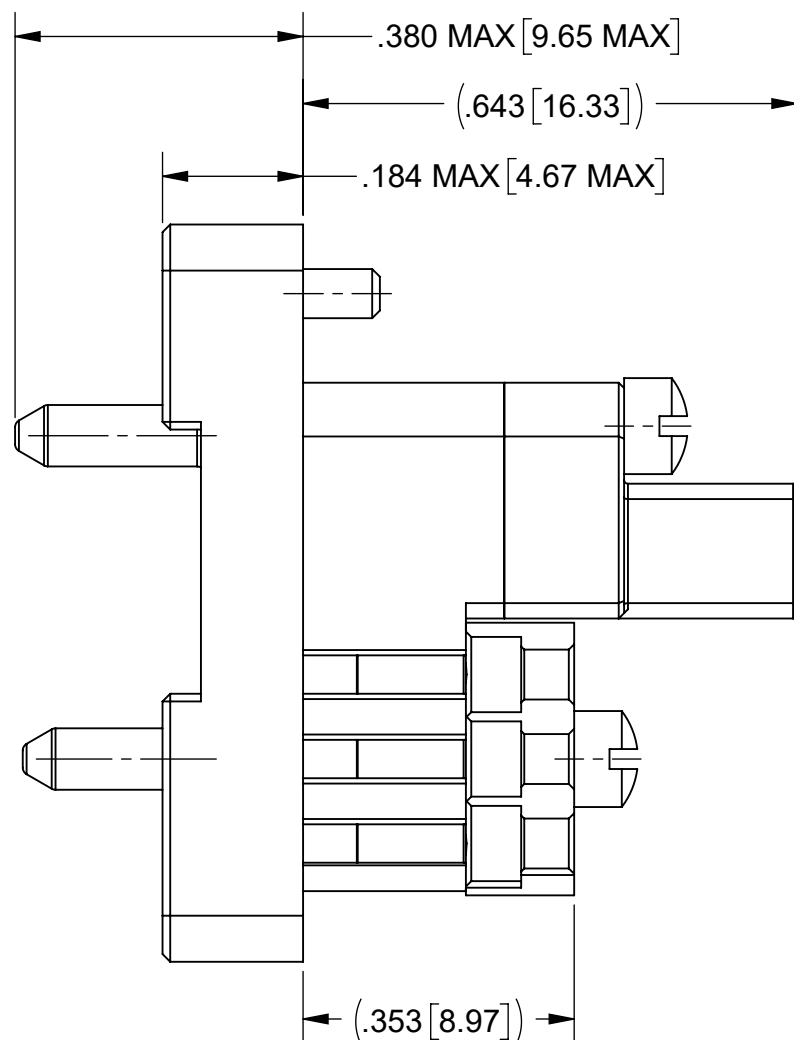
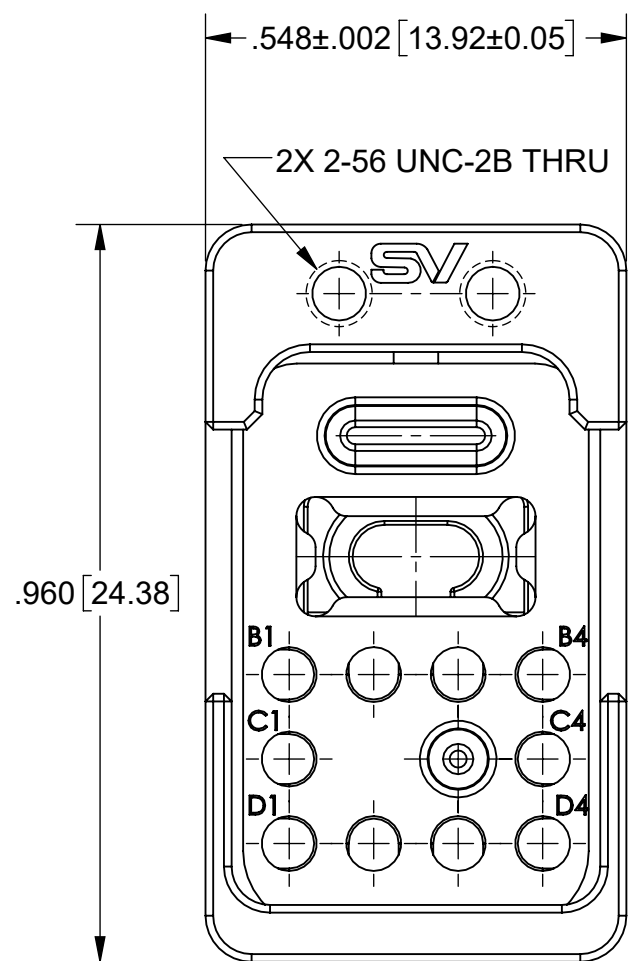


PRODUCT DATA DRAWING

REVISION HISTORY			
REV	DESCRIPTION	DATE	APPROVED
-	DCN 54123	4/24	SEE PDM



MATERIAL:

OUTER SHELL,
INNER SHELL,
RF BACKPLATE,
& MT FERRULE:

ALUMINUM PER ASTM B211 ALLOY 6061-T6
OR AMS-QQ-A-200/8 ALLOY 6061-T6

SET SCREW:

18-8 STAINLESS STEEL

CAPTIVE SCREWS
& ALIGNMENT PIN:

STAINLESS STEEL

FINISH:

OUTER SHELL,
INNER SHELL,
RF BACKPLATE,
& MT FERRULE:

CHEMICAL CONVERSION COATING PER MIL-DTL-5541,
CLASS 3 COLOR CLEAR, TYPE II

SET SCREW,
CAPTIVE SCREWS,
& ALIGNMENT PIN:

PASSIVATED

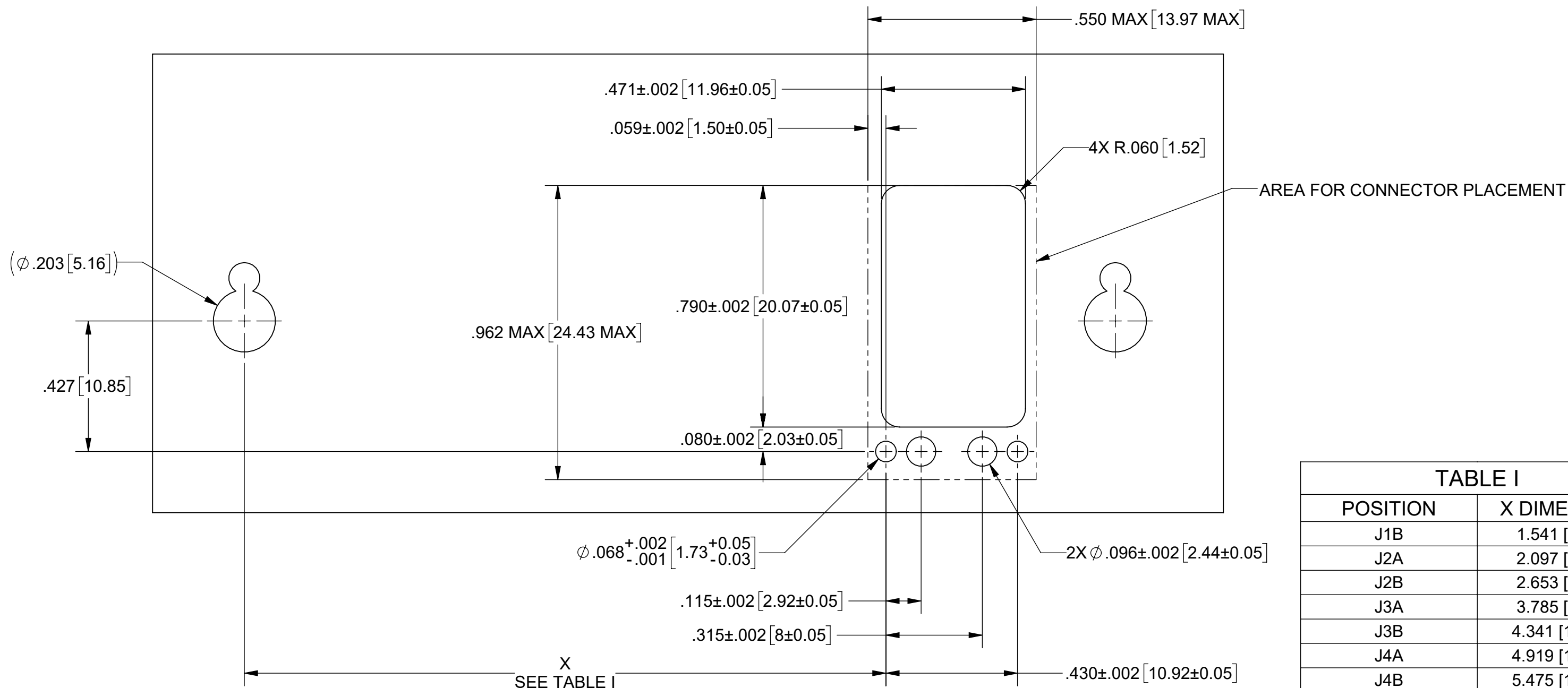
NOTES:

1. COMPLIANT TO VITA 66.5, VITA 65 SECTION 6.4.5.7.4, AND ALIGNED TO THE SOSA TECHNICAL STANDARD.
2. DESIGNED TO USE WITH NanoRF BACKPLANE CONTACTS FOR Ø.047 CABLE, SV P/N: 8341-40001 (TE P/N 2302345-1).
3. LICENSED EQUIVALENT TO TE P/N 2313391-1 AND CAN BE USED AS A DROP-IN REPLACEMENT.
4. SHIPPED WITHOUT MT FERRULE KIT.
5. MATES TO SV P/N 9351-80004.
6. PCB LAYOUT ON SHEET 2.


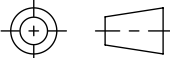
MATERIAL: SEE NOTES	DIMENSIONS ARE IN INCHES TOLERANCES: FRACTIONAL: ±1/64 ANGULAR: X° ±1'0" X°X' ±15'	UNLESS OTHERWISE SPECIFIED 1) ALL DIMENSIONS ARE IN INCHES (MILLIMETERS) 2) ALL DIMENSIONS ARE AFTER PLATING. 3) BREAK CORNERS & EDGES .005 R. MAX. 4) CHAM. 1ST & LAST THREADS. 5) SURFACE ROUGHNESS 63-MIL-STD-10. 6) DIA: 'S ON COMMON CENTERS TO BE CONCENTRIC WITHIN .005 T.I.R. 7) REMOVE ALL BURRS	 TITLE: NANORF BACKPLANE MODULE, 10 POS RF & FIBER OPTIC, FOR Ø.047 CABLE SIZE DWG. NO. B 9341-80005 SCALE: 4:1 SHEET 1 OF 2
FINISH: SEE NOTES	DECIMAL: .X ±.030 .XX ±.010 .XXX ±.005	INTERPRET DIMENSIONS AND TOLERANCES PER ASME Y14.5M - 1994	
SURFACE AREA: N/A	THIRD ANGLE PROJECTION	DRAWN: JDT 4/1/24 CHECKED: SEE PDM APPROVED: SEE PDM	
PROPRIETARY THE INFORMATION CONTAINED IN THIS DRAWING IS THE SOLE PROPERTY OF SV MICROWAVE, INC. ANY REPRODUCTION IN PART OR AS A WHOLE WITHOUT THE WRITTEN PERMISSION OF SV MICROWAVE, INC IS PROHIBITED.			

PRODUCT DATA DRAWING

REVISION HISTORY			
REV	DESCRIPTION	DATE	APPROVED
-	DCN 54123	4/24	SEE PDM



POSITION	X DIMENSION
J1B	1.541 [39.15]
J2A	2.097 [53.27]
J2B	2.653 [67.39]
J3A	3.785 [96.14]
J3B	4.341 [110.26]
J4A	4.919 [124.94]
J4B	5.475 [139.06]
J5A	6.053 [153.74]
J5B	6.609 [167.86]
J6A	7.187 [182.54]
J6B	7.743 [196.66]

MATERIAL: SEE NOTES	DIMENSIONS ARE IN INCHES TOLERANCES: FRACTIONAL: $\pm 1/64$ ANGULAR: $X^\circ \pm 1'0''$ $X'X' \pm 15'$	UNLESS OTHERWISE SPECIFIED	 www.svmicrowave.com
FINISH: SEE NOTES	DECIMAL: X $\pm .030$.XX $\pm .010$.XXX $\pm .005$	1) ALL DIMENSIONS ARE IN INCHES (MILLIMETERS) 2) ALL DIMENSIONS ARE AFTER PLATING. 3) BREAK CORNERS & EDGES .005 R. MAX. 4) CHAM. 1ST & LAST THREADS. 5) SURFACE ROUGHNESS 63-MIL-STD-10. 6) DIA: 'S ON COMMON CENTERS TO BE CONCENTRIC WITHIN .005 T.I.R. 7) REMOVE ALL BURRS	
SURFACE AREA: N/A	INTERPRET DIMENSIONS AND TOLERANCES PER ASME Y14.5M - 1994	DRAWN: JDT 4/1/24	TITLE: NANORF BACKPLANE MODULE, 10 POS RF & FIBER OPTIC, FOR $\phi .047$ CABLE
PROPRIETARY THE INFORMATION CONTAINED IN THIS DRAWING IS THE SOLE PROPERTY OF SV MICROWAVE, INC. ANY REPRODUCTION IN PART OR AS A WHOLE WITHOUT THE WRITTEN PERMISSION OF SV MICROWAVE, INC IS PROHIBITED.	THIRD ANGLE PROJECTION	CHECKED: SEE PDM	SIZE DWG. NO. B 9341-80005
		APPROVED: SEE PDM	SCALE: 3:1 SHEET 2 OF 2