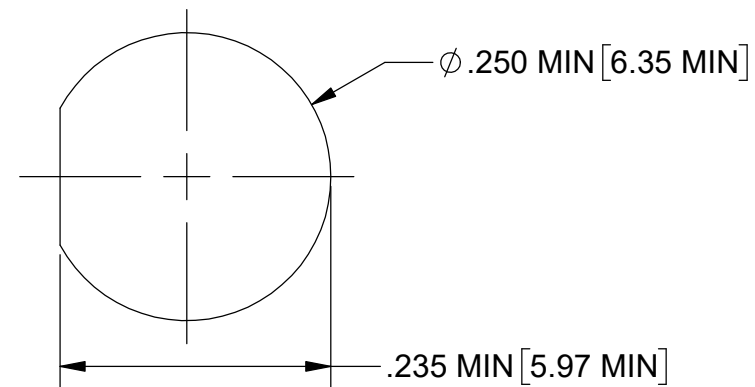
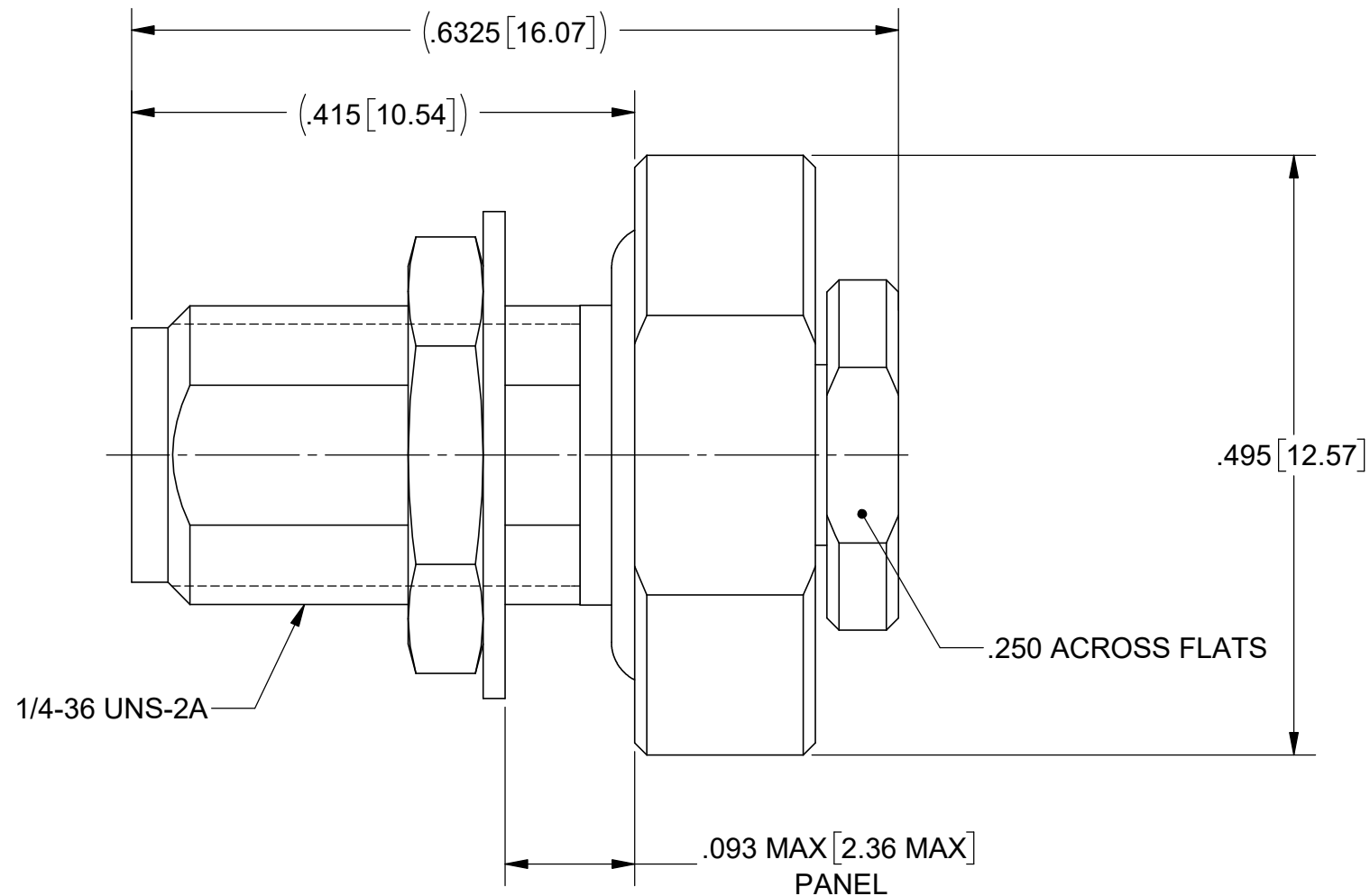
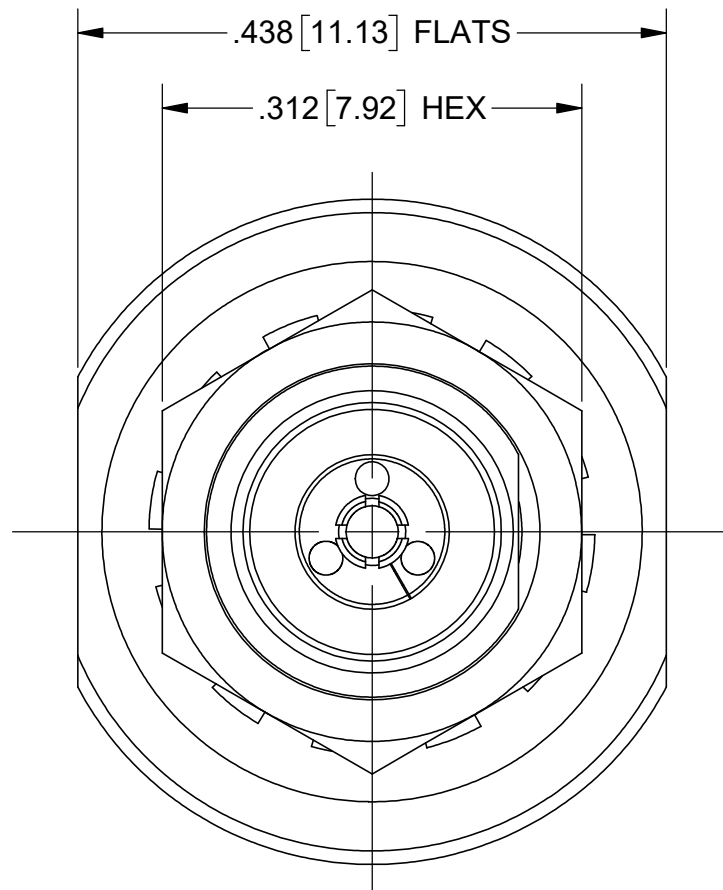
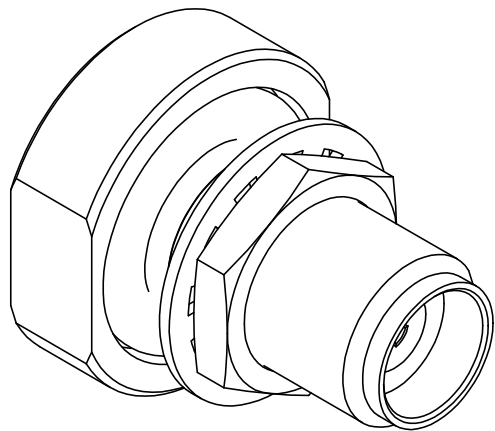


# PRODUCT DATA DRAWING

REVISION HISTORY			
REV	DESCRIPTION	DATE	APPROVED
B	DCN 49585	01/20	DAL
C	DCN 50234	10/20	BNK



**MATERIAL:**

BODY, SLEEVE, HEX NUT & CLAMP NUT: STAINLESS STEEL PER AMS 5640, ALLOY No. UNS S30300, TYPE 1, OR ASTM A582, TYPE 303, CONDITION A.

LOCK WASHER: 300 SERIES STAINLESS STEEL

CONTACT & FERRULE: BERYLLIUM COPPER PER ASTM B196, ALLOY No. UNS C17300, TD04

BEAD: POLYETHERIMIDE(ULTEM 1000) PER ASTM D5205

O-RING: SILICONE RUBBER PER A-A-59588, CLASS 2B, GRADE 50/60

**FINISH:**

BODY, SLEEVE, HEX NUT, LOCK WASHER & CLAMP NUT: PASSIVATED PER AMS 2700.

CONTACT & FERRULE: GOLD PER ASTM B 488, TYPE II, CODE C, CLASS .76, OVER NICKEL PER AMS-QQ-N-290, CLASS 1, .00005" MIN.

**PERFORMANCE:**

IMPEDANCE: 50 OHMS  
 FREQ. RANGE: DC TO 40.0 GHZ.  
 VSWR: 1.25:1, DC TO 40.0 GHZ.

MATERIAL:	SEE NOTES
FINISH:	SEE NOTES
SURFACE AREA:	N/A
<b>PROPRIETARY</b>	
THE INFORMATION CONTAINED IN THIS DRAWING IS THE SOLE PROPERTY OF SV MICROWAVE, INC. ANY REPRODUCTION IN PART OR AS A WHOLE WITHOUT THE WRITTEN PERMISSION OF SV MICROWAVE, INC IS PROHIBITED.	

DIMENSIONS ARE IN INCHES TOLERANCES:	
FRACTIONAL: ±1/64	ANGULAR: X° ±1'0"
	X"X' ±15'
DECIMAL: X ±.030	
.XX ±.010	
.XXX ±.005	
INTERPRET DIMENSIONS AND TOLERANCES PER ASME Y14.5M - 1994	
<b>THIRD ANGLE PROJECTION</b>	

UNLESS OTHERWISE SPECIFIED	
1) ALL DIMENSIONS ARE IN INCHES (MILLIMETERS) 2) ALL DIMENSIONS ARE AFTER PLATING 3) BREAK CORNERS & EDGES .005 R. MAX. 4) CHAM. 1ST & LAST THREADS. 5) SURFACE ROUGHNESS 63-MIL-STD-10. 6) DIA. 'S ON COMMON CENTERS TO BE CONCENTRIC WITHIN .005 T.I.R. 7) REMOVE ALL BURRS	
DRAWN:	FED 07/27/12
CHECKED:	STW 08/22/12
APPROVED:	STW 08/22/12

TITLE: SVK ST. BULKHEAD JACK FOR RG-405 CABLE	
SIZE DWG. NO.	SF1521-60025
SCALE: 7:1	SHEET 1 OF 1