

REVISION HISTORY			
REV	DESCRIPTION	DATE	APPROVED
C	DCN 36405	01/09	JMC
D	UPDATE	01/13	PJS

PRODUCT DATA DRAWING

MATERIAL:

BODY,
PRESS CAP &
COUPLING NUT:

STAINLESS STEEL PER AMS-5640,
ALLOY UNS S30300, TYPE 1

LOCK RING &
CONTACT:

BERYLLIUM COPPER PER ASTM B196,
ALLOY No. UNS C17300, TD04

SLEEVES:

BRASS PER ASTM B16, ALLOY UNS No. C36000

INSULATOR:

ULTEM 1000 PER ASTM D5205

GASKET:

SILICONE RUBBER PER A-A-59588,
CLASS 2B, GRADE 50/60

BELLOWS SPRING:

ELECTRO DEPOSITED NICKEL: GOLD PLATED

RESISTOR ELEMENT:

ALUMINUM NITRIDE SUBSTRATE WITH
TANTALUM NITRIDE RESISTOR; GOLD PLATED
TERMINATIONS

FINISH:

BODY, PRESS CAP &
COUPLING NUT:

PASSIVATED PER AMS-2700

CONTACT &
SLEEVE:

GOLD PER ASTM B488, TYPE I,
CODE C, CLASS .5; OVER NICKEL
PER AMS-QQ-N-290, CLASS 1, .00005" MIN.

CHIP SLEEVE:

GOLD PER ASTM B488, TYPE II, CODE C,
CLASS 1.27; OVER NICKEL PER AMS-QQ-N-290,
CLASS 1, .00005" MIN.

PERFORMANCE:

IMPEDANCE:

50 OHMS

FREQ. RANGE:

DC TO 40.0 GHz

VSWR:

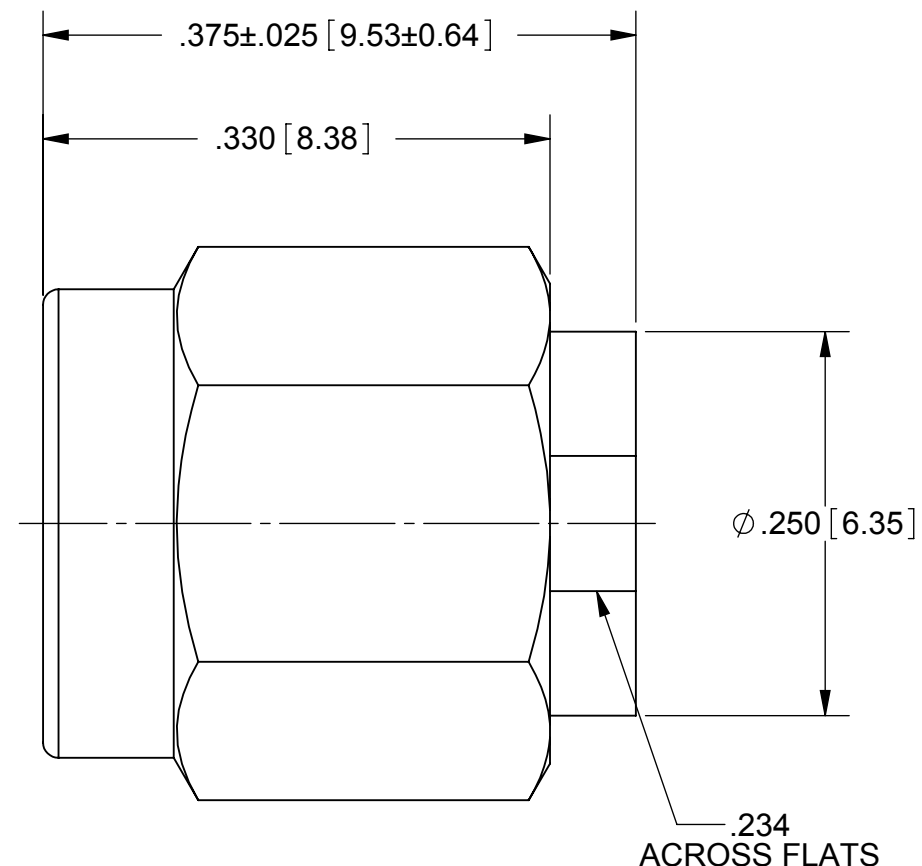
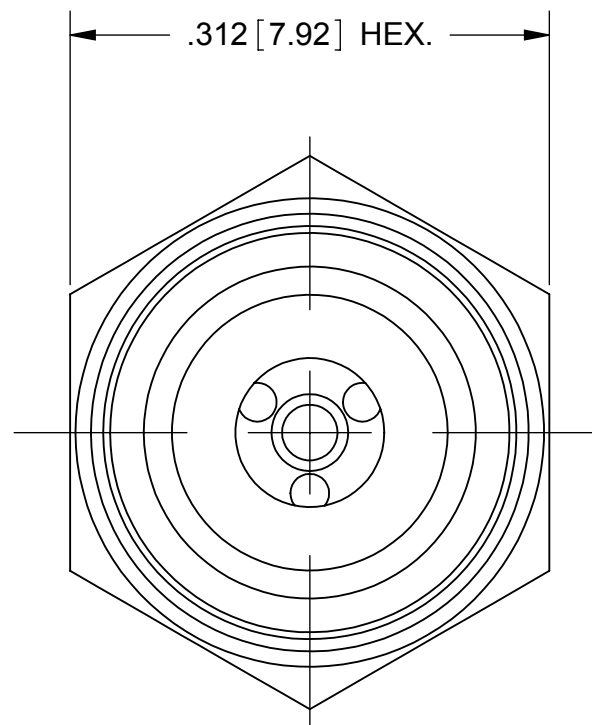
1.25:1 MAX., DC TO 40.0 GHz

OPERATING TEMP.:

-55°C TO +135°C

AVG. POWER:

2 WATT (POWER INPUT DERATED LINEARLY
FROM 25°C TO .2 WATTS AT 125°C)



MATERIAL: SEE NOTES	DIMENSIONS ARE IN INCHES TOLERANCES: FRACTIONAL: ±1/64 ANGULAR: X° ±1'0" X°X' ±15'	UNLESS OTHERWISE SPECIFIED 1) ALL DIMENSIONS ARE IN INCHES (MILLIMETERS) 2) ALL DIMENSIONS ARE AFTER PLATING. 3) BREAK CORNERS & EDGES .005 R. MAX. 4) CHAM. 1ST & LAST THREADS. 5) SURFACE ROUGHNESS 63-MIL-STD-10. 6) DIA.'S ON COMMON CENTERS TO BE CONCENTRIC WITHIN .005 T.I.R. 7) REMOVE ALL BURRS	SV Microwave, Inc. 2400 Centrepark West Drive, Suite 100 West Palm Beach, FL 33409
FINISH: SEE NOTES	DECIMAL: X ±.030 .XX ±.010 .XXX ±.005	INTERPRET DIMENSIONS AND TOLERANCES PER ASME Y14.5M - 1994	TITLE: SVK PLUG TERMINATION DC-40.0 GHz
SURFACE AREA: N/A	THIRD ANGLE PROJECTION	DRAWN: BRT 09/13/02	SIZE: B CAGE CODE: 95077 DWG. NO.: SF8015-6002
PROPRIETARY THE INFORMATION CONTAINED IN THIS DRAWING IS THE SOLE PROPERTY OF SV MICROWAVE, INC. ANY REPRODUCTION IN PART OR AS A WHOLE WITHOUT THE WRITTEN PERMISSION OF SV MICROWAVE, INC IS PROHIBITED.		CHECKED: DWC 06/06/01 APPROVED: DWC 06/06/01	SCALE: 8:1 SHEET 1 OF 1