

REVISION HISTORY			
REV	DESCRIPTION	DATE	APPROVED
-	REL. DCN 32989	04/05	CCC

PRODUCT DATA DRAWING

MATERIAL

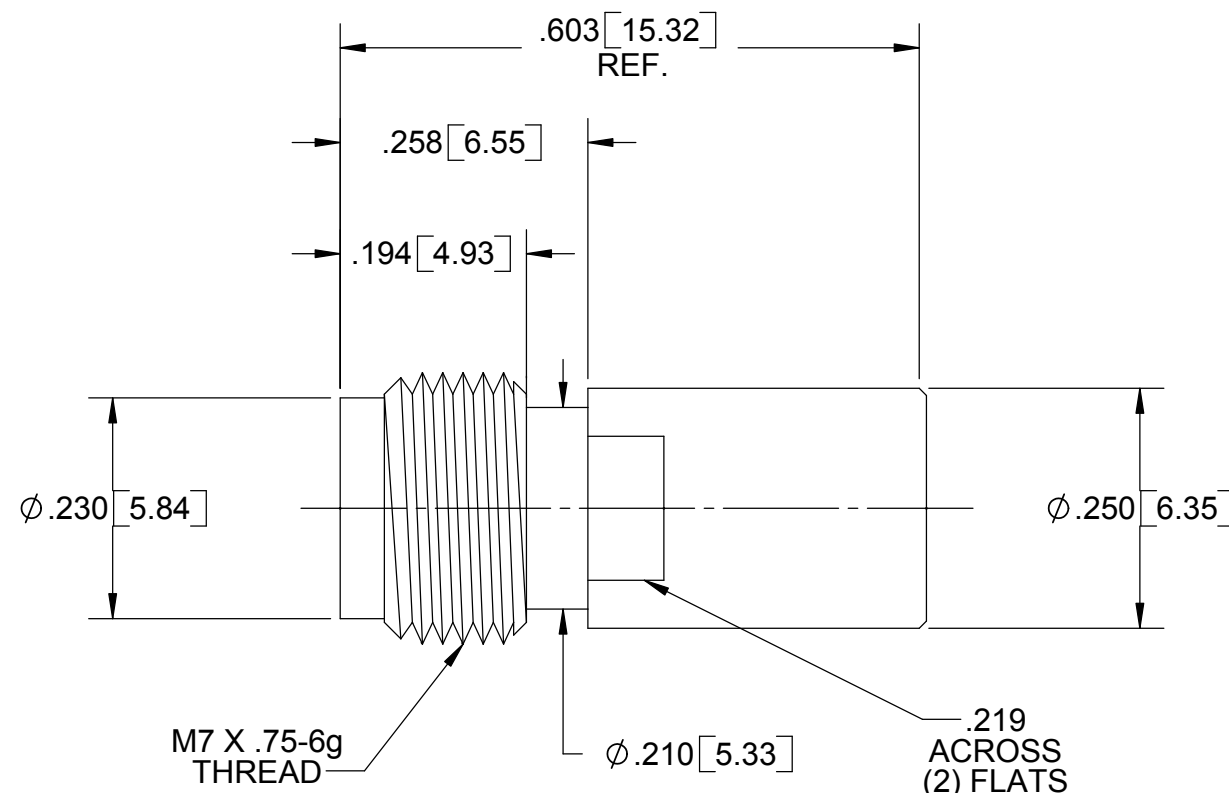
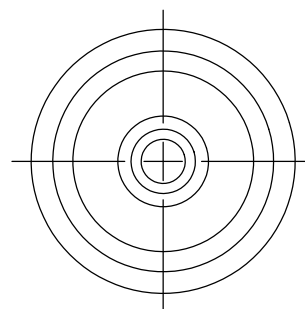
- BODY & SLEEVE:** STAINLESS STEEL PER AMS-5640, ALLOY UNS S30300, TYPE I
- CONTACT & SLEEVE:** BERYLLIUM COPPER PER ASTM B196, ALLOY UNS C17300, TD04
- CONTACT & SET SCREW:** BRASS PER ASTM B16, ALLOY UNS C36000
- INSULATOR:** PTFE PER ASTM D1710, TYPE I, GRADE 1, CLASS B
- GASKET:** SILICONE RUBBER PER A-A-59588, CLASS 2B, GRADE 50/60
- RESISTOR ELEMENT:** ALUMINA NITRIDE SUBSTRATE WITH TANTALUM NITRIDE RESISTOR

FINISH

- BODY & SLEEVE:** PASSIVATED PER AMS-QQ-P-35, TYPE II
- CONTACTS:** GOLD PER ASTM B488, TYPE I, CODE C, CLASS .50; OVER NICKEL PER AMS-QQ-N-290, CLASS 1, .000050" MIN.
- SLEEVE & SET SCREW:** GOLD PER ASTM B488, TYPE II, CODE C, CLASS 1.27; OVER NICKEL PER AMS-QQ-N-290, CLASS 1, .000050" MIN.

PERFORMANCE

- IMPEDANCE:** 50 OHMS
- FREQ. RANGE:** DC TO 50.0 GHZ
- VSWR:** 1.30:1 DC TO 50.0 GHZ



MATERIAL: SEE NOTES	DIMENSIONS ARE IN INCHES TOLERANCES: FRACTIONAL: ±1/64 ANGULAR: X° ±1'0" X'X' ±15'	UNLESS OTHERWISE SPECIFIED 1) ALL DIMENSIONS ARE IN INCHES[MILLIMETERS] 2) ALL DIMENSIONS ARE AFTER PLATING. 3) BREAK CORNERS & EDGES .005 R. MAX. 4) CHAM. 1ST & LAST THREADS. 5) SURFACE ROUGHNESS 63 MIL-STD-10. 6) DIA.'S ON COMMON CENTERS TO BE CONCENTRIC WITHIN T.I.R. 7) REMOVE ALL BURRS	SV Microwave, Inc. www.svmicrowave.com
FINISH: SEE NOTES	DECIMAL: .X ±.030 .XX ±.010 .XXX ±.005	INTERPRET DIMENSIONS AND TOLERANCES PER ASME Y14.5M - 1994	TITLE: 2.4mm, 50 OHM JACK TERMINATION DC TO 50 GHZ
SURFACE AREA: N/A	THIRD ANGLE PROJECTION	DRAWN: MGT 04/19/05	SIZE B DWG. NO. SF8016-6402
PROPRIETARY THE INFORMATION CONTAINED IN THIS DRAWING IS THE SOLE PROPERTY OF SV MICROWAVE, INC. ANY REPRODUCTION IN PART OR AS A WHOLE WITHOUT THE WRITTEN PERMISSION OF SV MICROWAVE, INC IS PROHIBITED.		CHECKED: CCC 04/19/05	SCALE: 5:1
		APPROVED: CCC 04/19/05	SHEET 1 OF 1