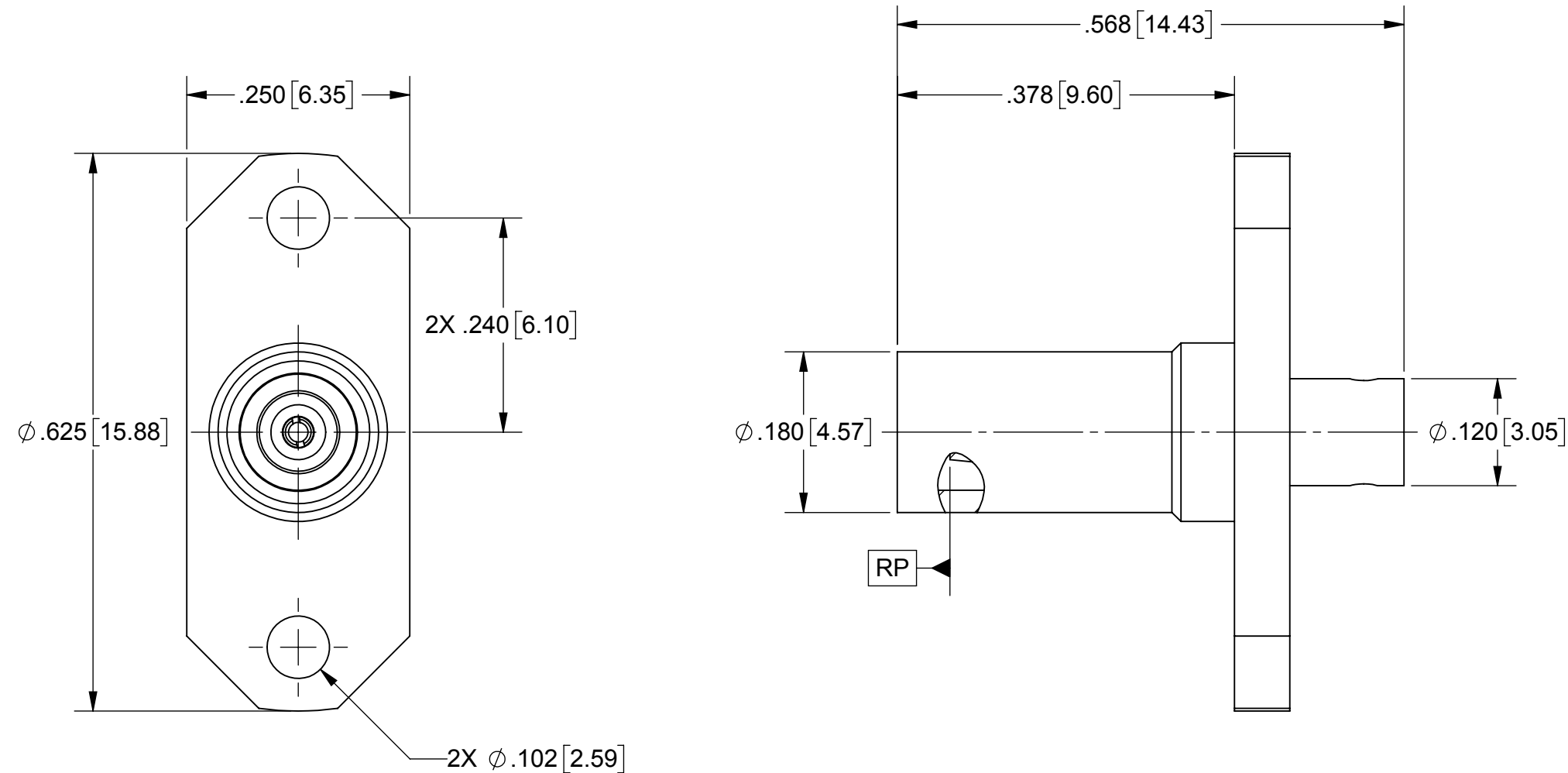


PRODUCT DATA DRAWING

| REVISION HISTORY | | | |
|------------------|-------------|-------|----------|
| REV | DESCRIPTION | DATE | APPROVED |
| C | DCN 43277 | 04/17 | MAL |
| | | | |



MATERIAL:

BODY: STAINLESS STEEL PER AMS-5640, ALLOY UNS S30300, TYPE

CONTACT: BERYLLIUM COPPER PER ASTM B196, ALLOY No. UNS C17300, TD04

REAR BODY: BRASS PER ASTM B16, ALLOY UNS No. C36000

INSULATOR: PTFE PER ASTM D1710, TYPE I, GRADE 1, CLASS B

FINISH:

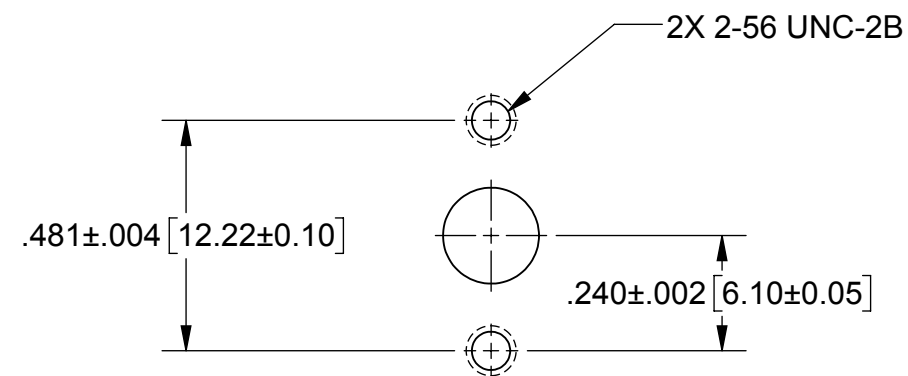
BODY : PASSIVATED PER AMS-2700

REAR BODY & CONTACT: GOLD PER ASTM B488, TYPE II, CODE C, CLASS 1.27, OVER NICKEL PER AMS-QQ-N-290, CLASS 1, .00005" MIN.

PERFORMANCE:

IMPEDANCE: 50 OHMS

FREQ. RANGE: DC TO 18.0 GHz.



RECOMMENDED MOUNTING HOLE

| | | | |
|---|--|---|--|
| MATERIAL: SEE NOTES | DIMENSIONS ARE IN INCHES TOLERANCES: FRACTIONAL: ±1/64 ANGULAR: X° ±1'0" X°X' ±15' | UNLESS OTHERWISE SPECIFIED 1) ALL DIMENSIONS ARE IN INCHES (MILLIMETERS) 2) ALL DIMENSIONS ARE AFTER PLATING. 3) BREAK CORNERS & EDGES .005 R. MAX. 4) CHAM. 1ST & LAST THREADS. 5) SURFACE ROUGHNESS 63 MIL-STD-10. 6) DIA.'S ON COMMON CENTERS TO BE CONCENTRIC WITHIN .005 T.I.R. 7) REMOVE ALL BURRS | 2400 Centrepark West Drive, Suite 100 West Palm Beach, FL 33409 TITLE: BMZ 2 HOLE FLANGE MOUNT JACK TO .085 S.R. CABLE |
| FINISH: SEE NOTES | DECIMAL: X ±.030 .XX ±.010 .XXX ±.005 | INTERPRET DIMENSIONS AND TOLERANCES PER ASME Y14.5M - 1994 | |
| SURFACE AREA: N/A | THIRD ANGLE PROJECTION | DRAWN: VB 04/03/17 | SIZE: B CAGE CODE: 95077 DWG. NO.: SF8934-6001 |
| PROPRIETARY THE INFORMATION CONTAINED IN THIS DRAWING IS THE SOLE PROPERTY OF SV MICROWAVE, INC. ANY REPRODUCTION IN PART OR AS A WHOLE WITHOUT THE WRITTEN PERMISSION OF SV MICROWAVE, INC IS PROHIBITED. | | CHECKED: MAL 04/03/17 | SCALE: 4:1 |
| | | APPROVED: MAL 04/03/17 | SHEET 1 OF 1 |