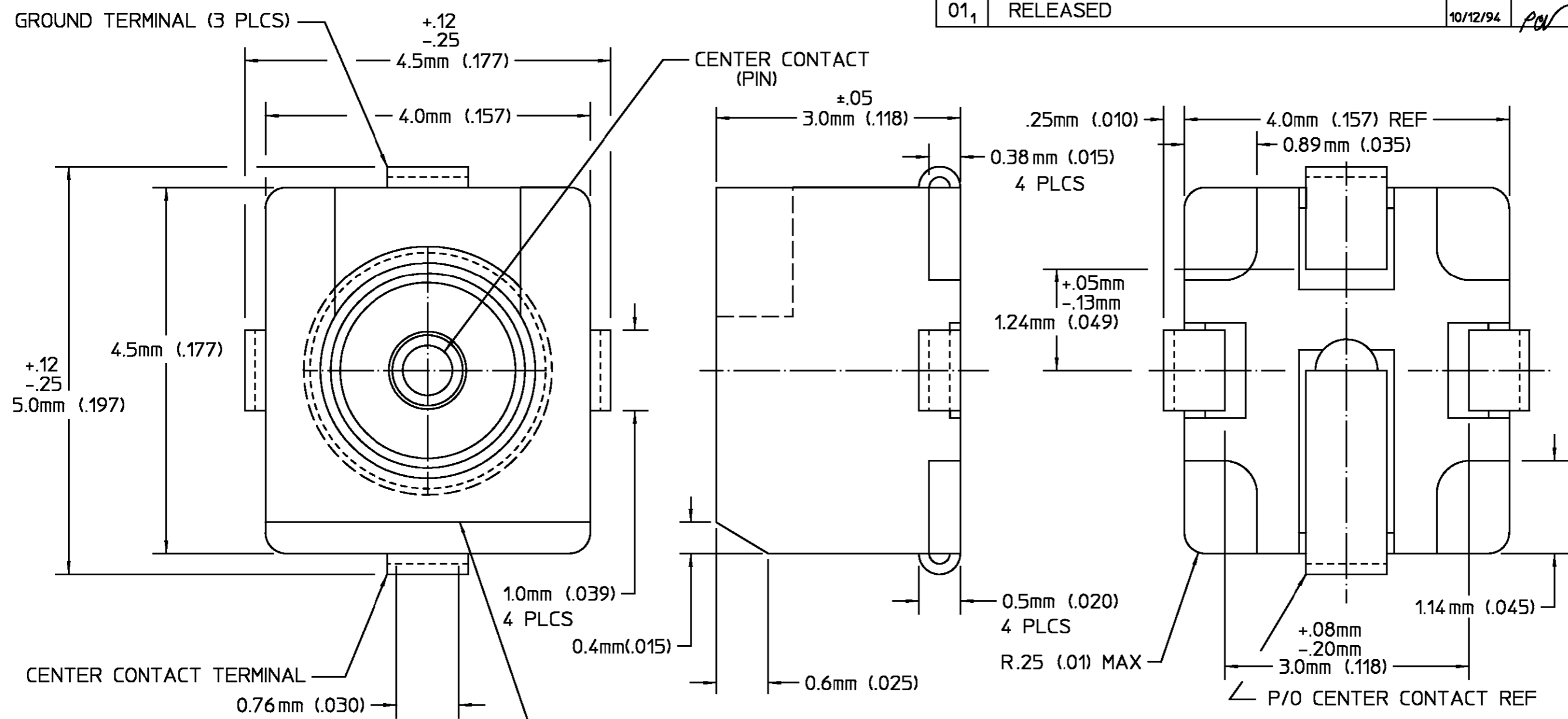


REVISIONS			
REV	DESCRIPTION	DATE	APPROVED
01 ₁	RELEASED	10/12/94	<i>POV</i>



NOTES
 1. MATERIAL
 HOUSING: POLYPHENYLENE SULFIDE
 CONTACTS: COPPER ALLOY CDA752
 2. FINISH:
 CONTACTS: GOLD PLATE OVER DUCTILE NICKEL PLATE.

UNLESS OTHERWISE SPECIFIED DIMENSIONS ARE IN INCHES TOLERANCE ON FRAC DEC ANGLES • 1/64 • .005 • 1°	DRAWN BY <i>POV</i> DATE 10/12/94	AMP Incorporated 140 Fourth Avenue Waltham, MA 02451-7599	
	CHECKED BY	APPROD BY <i>POV</i> 10/12/94	AMP
These drawings and specifications are the property of Omni Spectra Incorporated and shall not be reproduced or copied or used in whole or in part as the basis for the manufacture or sale of item(s) without written permission.	USE ASSY PROCEDURE	TITLE STRAIGHT OSMT PCB MOUNT PLUG RECEPTACLE	
	NO. A.P. N/A	SIZE B	CODE IDENT NO. 2367-5006-54
		SCALE 20:1	REV 01 ₁