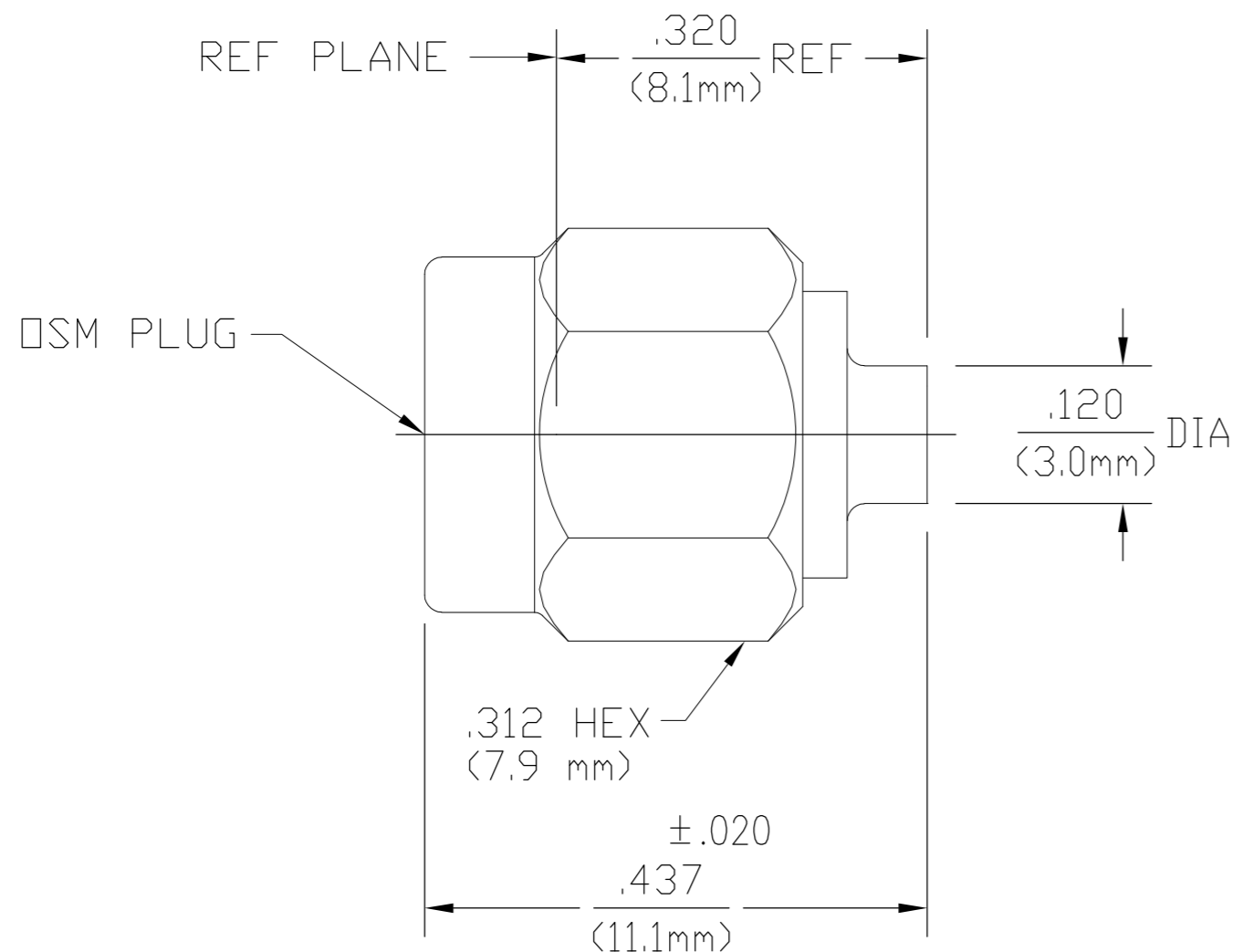


THIS DRAWING IS UNPUBLISHED. RELEASED FOR PUBLICATION  
 © COPYRIGHT - By - ALL RIGHTS RESERVED.

DESIGNED FOR USE WITH .085 DIA S.R. CABLE	
CABLE ENTRY DIAMETER MINIMUM	
CONTACT	.0215
HOUSING	.088

LOC	DIST	REVISIONS					
AJ	00	P	LTR	DESCRIPTION	DATE	DWN	APVD
		B1		REV PER ECR-14-011093	23JUL14	AM	MY



1050548-1  
PART NUMBER

HOUSING	STAINLESS STEEL PER ASTM-A484 AND ASTM-A582, TYPE 303	GOLD PLATE PER MIL-G-45204 OVER NICKEL PLATE PER QQ-N-290
COUPLING NUT	STAINLESS STEEL PER ASTM-A484 AND ASTM-A582, TYPE 303	PASSIVATE PER ASTM-A380
DIELECTRIC	TFE FLUOROCARBON PER ASTM-D-1457	N/A
CENTER CONTACT	BERYLLIUM COPPER PER ASTM B 196, ALLOY C17300, CONDITION H OR BRASS PER ASTM-B-16	GOLD PLATE PER MIL-G-45204 OVER NICKEL PLATE PER QQ-N-290 OVER COPPER PLATE PER MIL-C-14550
RETAINING RING	BERYLLIUM COPPER PER ASTM B 194, ALLOY C17200, CONDITION H	N/A
GASKET	SILICONE RUBBER PER ZZ-R-765	N/A
COMPONENT	MATERIAL	FINISH

ELECTRICAL	MECHANICAL	ENVIRONMENTAL
Nominal Impedance (Ohms) 50	Interface Dimensions MIL-STD-348A Fig. 310.1	TEMPERATURE RATING -65°C TO 105°C
Frequency Range (GHz) DC to 18.0	Recommended Mating Torque 7 to 10 in-LBs	Vibration MIL-STD-202, Method 204, Condition D
Volt Rating (VRMS MAX) @ Sea Level 335	Mating Characteristics:	Shock MIL-STD-202, Method 213, Condition I
VSWR 1.07 + .008f(GHz)	Insertion (MAX Lbs) N/A	Thermal Shock MIL-STD-202, Method 107, Condition B, EXCEPT HIGH TEMP 115°C
Insertion Loss (dB MAX) .03 √f(GHz)	Withdrawal (MIN Oz) N/A	Moisture Resistance MIL-STD-202, Method 106
RF Leakage (dB MIN) -[90-f(GHz)]	Force to Engage and Disengage (In-Lbs MAX) 2.0	Corrosion - MIL-STD-202, Method 101, Condition B, 5% salt spray
Corona, 70,000 Ft (VRMS MIN) 250	Center Contact Captivation	
Dielectric Withstanding Voltage (VRMS MIN) @ Sea Level 1000	Axial (Lbs) N/A	
Contact Resistance (Milliohms MAX)	Radial (In-Oz) N/A	
Center Contact 3.0	Cable Retention	
Outer Contact 2.0	Axial Force (Lbs) 30	
Cable to Housing 0.5	Torque (In-Oz) 16	
RF High Potential @ Sea Level (VRMS MIN @ 5 MHz) 670	Weight (Grams) T.B.D.	
I.R.(Megohms MIN) 5,000		

THIS DRAWING IS A CONTROLLED DOCUMENT.

DWN JPD 9/1/76		TE Connectivity		
CHK -		NAME OSM STRAIGHT CABLE PLUG DIRECT SOLDER ATTACHMENT		
APVD RMF 9/13/76		SIZE A2	CAGE CODE 00779	DRAWING NO C=1050548
PRODUCT SPEC		RESTRICTED TO		
APPLICATION SPEC	WEIGHT -	SCALE 5:1	SHEET 1 of 1	
MATERIAL -	FINISH -	CUSTOMER DRAWING	REV B1	