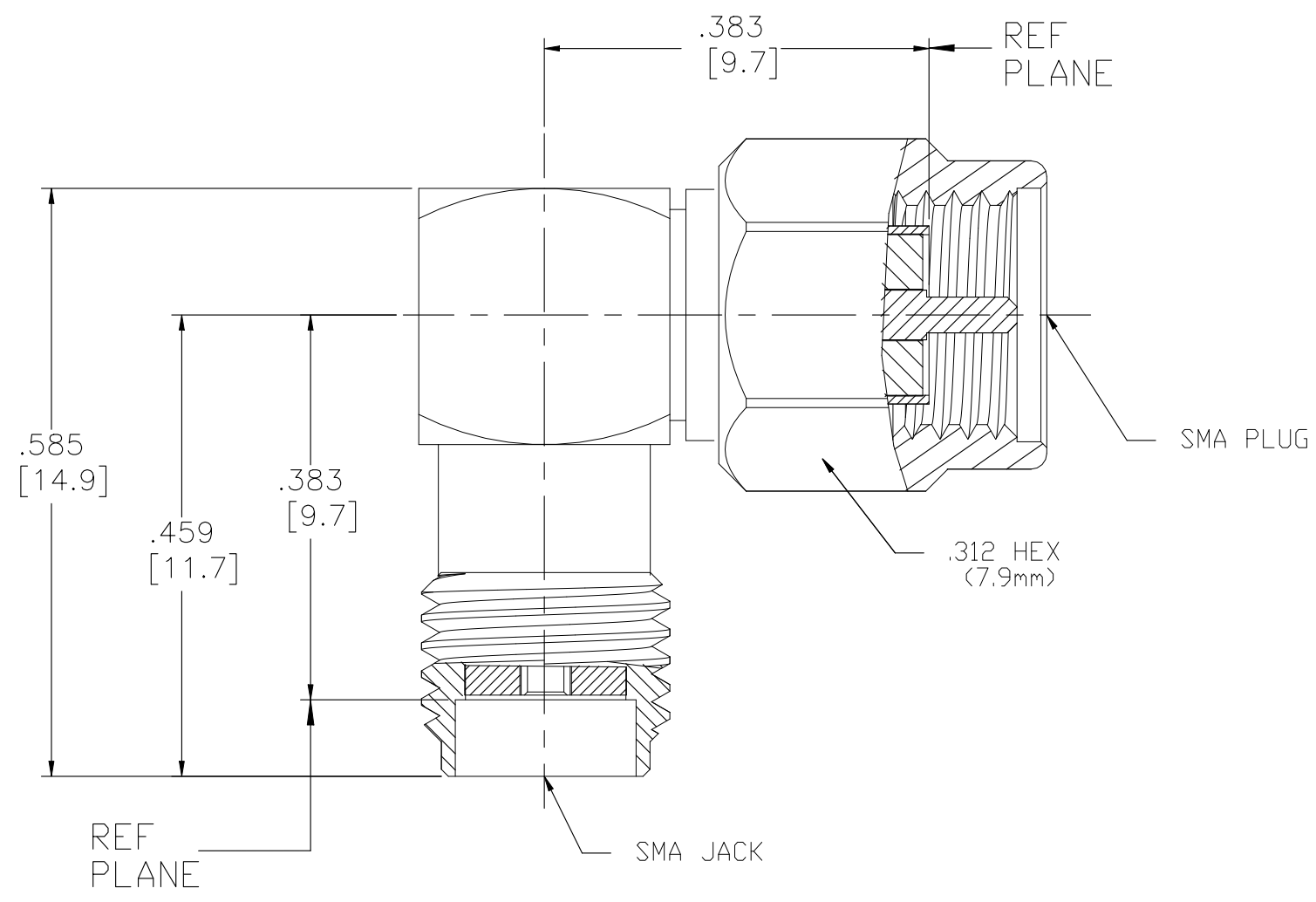


REVISIONS					
P	LTR	DESCRIPTION	DATE	DWN	APVD
	B2	REVISED PER ECR-21-103794	03JUN2021	RS	WK



ELECTRICAL	MECHANICAL	ENVIRONMENTAL
Nominal Impedance (Ohms) 50	Interface Dimensions MIL-STD-348A, Fig. 310.1,2	Temperature Rating -65°C to +125°C
Frequency Range (GHz) DC to 18	Recommended Mating Torque 7 to 10	Vibration MIL-STD-202, Method 204, Condition D
Volt Rating (VRMS MAX) @ Sea Level 335	Mating Characteristics: Insertion (MAX Lbs) 3	Shock MIL-STD-202, Method 213, Condition I
VSWR 1.15 + .015(f/GHz)	Withdrawal (MIN Oz) 1	Thermal Shock MIL-STD-202, Method 107, Condition B, Except High Temp
Insertion Loss (dB MAX) .06√f(GHz)	Force to Engage and Disengage (In-Lbs MAX) 2	Moisture Resistance MIL-STD-202, Method 106
RF Leakage (dB MIN) -(90-f(GHz))	Center Contact Captivation Axial (Lbs) 6	Corrosion - MIL-STD-202, Method 101, Condition B, 5% salt spray
Corona, 70,000 Ft (VRMS MIN) 250	Cable Retention Axial Force (Lbs) N/A	
Dielectric Withstanding Voltage (VRMS MIN) @ Sea Level 1000	Torque (In-Oz) N/A	
Contact Resistance (Milliohms MAX) Center Contact 2	Weight (Grams) TBD	
Outer Contact 2		
Cable to Housing N/A		
RF High Potential @ Sea Level (VRMS MIN @ 5 MHz) 670		
I.R.(Megohms MIN) 10,000		

.XXX = in
XX.X = mm

THIS DRAWING IS A CONTROLLED DOCUMENT.

DIMENSIONS: INCHES	TOLERANCES UNLESS OTHERWISE SPECIFIED:
	0 PLC ± -
	1 PLC ± -
	2 PLC ± -
	3 PLC ± .005
	4 PLC ± -
	ANGLES ± 1
MATERIAL	FINISH
-	-

QUANTITY PER ASSY	MATERIAL	DESCRIPTION	ITEM
1	Au	STAINLESS STEEL CAP	7
1	-	SILICONE RUBBER GASKET	6
1	-	BeCu RETAINING RING	5
1	Au	STAINLESS STEEL COUPLING NUT	4
1	Au	STAINLESS STEEL HOUSING	3
1	-	PTFE INSULATION	2
1	Au	BeCu CENTER CONTACT	1

QUANTITY PER ASSY PARTS LIST

DWN BWC 6/9/67

CHK AJ 6/4/68

APVD PB 6/4/68

PRODUCT SPEC

APPLICATION SPEC

WEIGHT -

STE TE Connectivity

NAME SMA RIGHT ANGLE PLUG TO JACK ADAPTER (MA-COM 2088-0000-00)

SIZE A3 CAGE CODE 00779 DRAWING NO C-1055064 RESTRICTED TO -

CUSTOMER DRAWING SCALE 6:1 SHEET 1 OF 1 REV B2