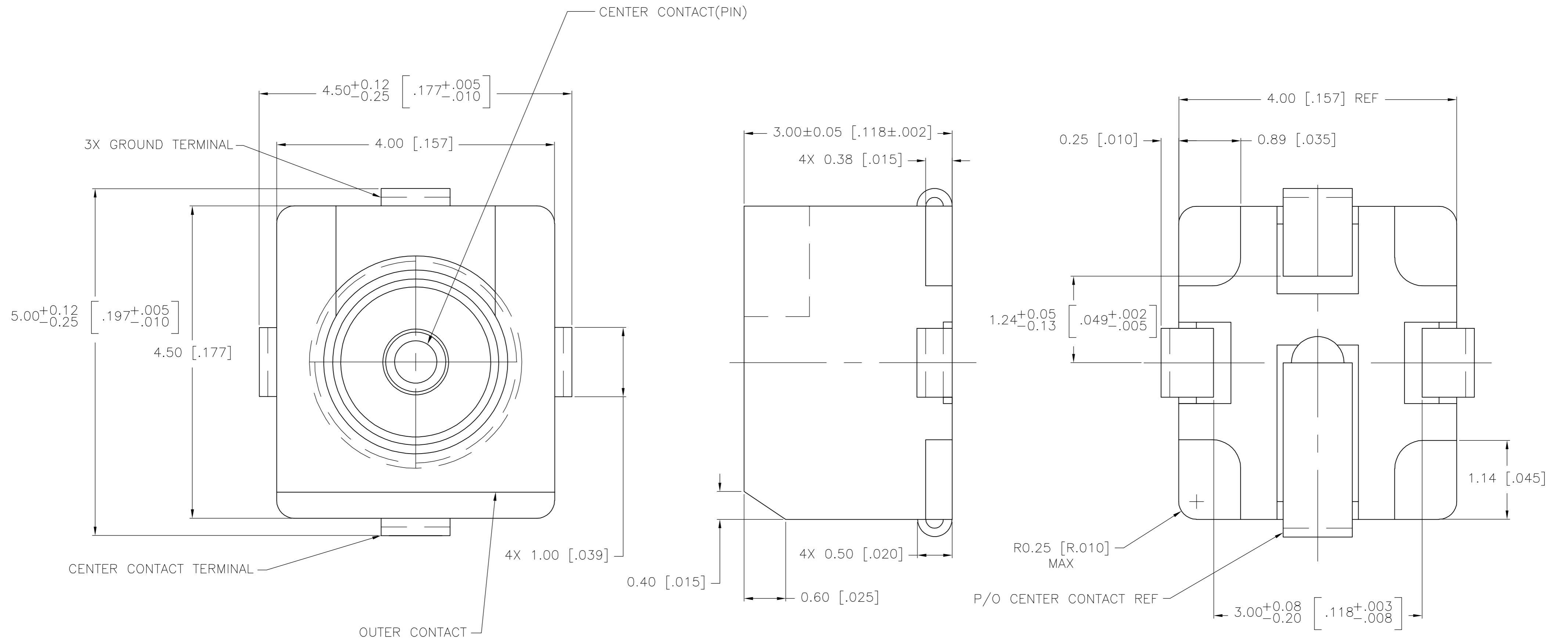


THIS DRAWING IS UNPUBLISHED. RELEASED FOR PUBLICATION
 © COPYRIGHT BY TYCO ELECTRONICS CORPORATION. ALL RIGHTS RESERVED.

Loc		DIST		REVISIONS			
P	LTR	DESCRIPTION		DATE	DWN	APVD	
AJ	17	B		REDRAWN PER EC OS14-0016-05	26JAN05	BM	KW

- MATERIAL:
HOUSING: POLYPHENYLENE SULFIDE.
CONTACTS: COPPER ALLOY CDA752.
- FINISH:
CONTACTS: GOLD PLATE OVER DUCTILE NICKEL PLATE.

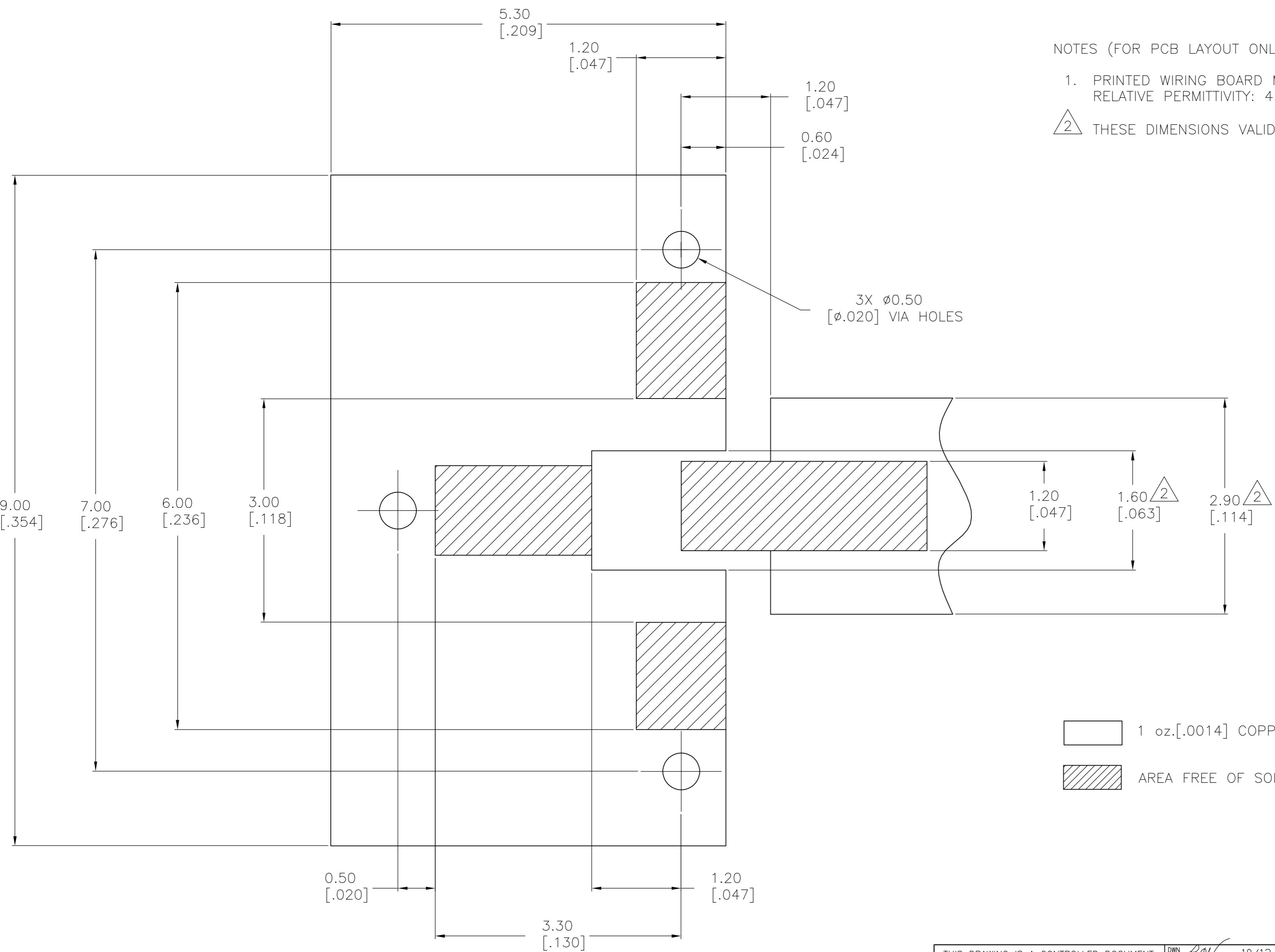


1055690-1
PART NUMBER

THIS DRAWING IS A CONTROLLED DOCUMENT.		DWN <i>PCW</i> 10/12/94	tyco Tyco Electronics Corporation	
DIMENSIONS: mm [INCHES]		CHK	Harrisburg, Pa 17105-3608	
TOLERANCES UNLESS OTHERWISE SPECIFIED:		APVD <i>PCW</i> 10/12/94	NAME	
0 PLC ± -		PRODUCT SPEC	STRAIGHT OSMT PCB MOUNT PLUG RECEPTACLE	
1 PLC ± -		APPLICATION SPEC	SIZE	CAGE CODE
2 PLC ± -		WEIGHT	A2	00779
3 PLC ± 0.13 [.005]		CUSTOMER DRAWING	DRAWING NO	
4 PLC ± -		SCALE	C=1055690	
ANGLES ± 1°		SHEET	1	OF 2
FINISH		REV	B	

THIS DRAWING IS UNPUBLISHED. RELEASED FOR PUBLICATION
 © COPYRIGHT BY TYCO ELECTRONICS CORPORATION. ALL RIGHTS RESERVED.

Loc	DIST	REVISIONS			
P	LTR	DESCRIPTION	DATE	DWN	APVD
AJ	17	SEE SHEET 1	-	-	-



NOTES (FOR PCB LAYOUT ONLY):
 1. PRINTED WIRING BOARD MATERIAL: GLASS EPOXY. FR-4 OR SIMILAR, RELATIVE PERMITTIVITY: 4.8oz. COPPER CLAD BOTH SIDES.
 2. THESE DIMENSIONS VALID FOR 1.60[.062] BOARD THICKNESS.

1 oz.[.0014] COPPER
 AREA FREE OF SOLDER MASK

RECOMMENDED MOUNTING PATTERN FOR MICROSTRIP LINE

THIS DRAWING IS A CONTROLLED DOCUMENT.		DWN <i>PCW</i> 10/12/94	tyco Tyco Electronics Corporation	
DIMENSIONS: mm[INCHES]		CHK	Harrisburg, Pa 17105-3608	
TOLERANCES UNLESS OTHERWISE SPECIFIED:		APVD <i>PCW</i> 10/12/94	NAME	
0 PLC ± -	1 PLC ± -	PRODUCT SPEC	STRAIGHT OSMT PCB	
2 PLC ± -	3 PLC ± 0.13[.005]	APPLICATION SPEC	MOUNT PLUG RECEPTACLE	
4 PLC ± -	ANGLES ± 1°	WEIGHT -	SIZE A2	CAGE CODE 00779
MATERIAL -	FINISH -	CUSTOMER DRAWING	DRAWING NO C=1055690	RESTRICTED TO -
		SCALE 25:1	SHEET 2 OF 2	REV B