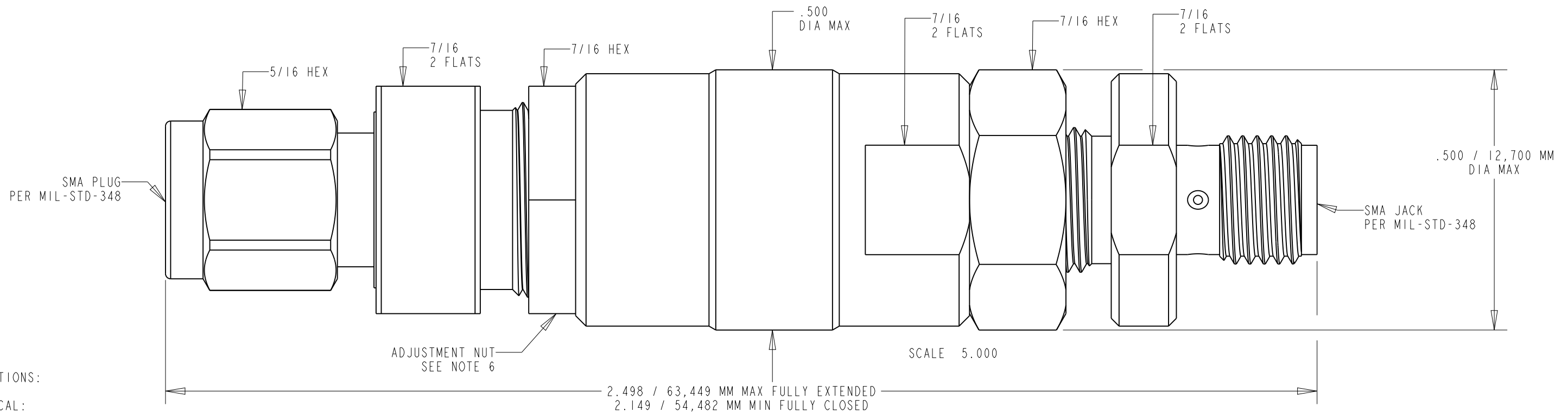


THIRD ANGLE PROJ.

REVISIONS

REV	DESCRIPTION	DATE	ECN	APPR
E	ADDED SHEET 2	6/19/13	49587	CPM
F	INTERNAL DOCUMENT CHANGE ONLY	7/16/13	49632	RLB
G	VOLTAGE RATING WAS 500 VRMS	19-Jul-18	08622	BEW



SPECIFICATIONS:

ELECTRICAL:

1. IMPEDANCE, 50 OHMS
2. FREQUENCY RANGE, DC-18 GHz.
3. INSERTION LOSS, dB MAX. = .1 SQRT(F(GHz))
4. VSWR, 4 GHz = 1.10 VSWR MAX.
10 GHz = 1.15 VSWR MAX.
12 GHz = 1.22 VSWR MAX.
16 GHz = 1.26 VSWR MAX.
18 GHz = 1.30 VSWR MAX.
5. PHASE ANGLE ADJUSTMENT RANGE IN DEGREES, 0° TO [10 X F(GHz)]° MAX
6. PHASE ANGLE CHANGE PER REVOLUTION OF ADJUSTMENT NUT IN DEGREES, [0.636 X F(GHz)]°
7. VOLTAGE RATING, 670 VRMS PEAK

MECHANICAL:

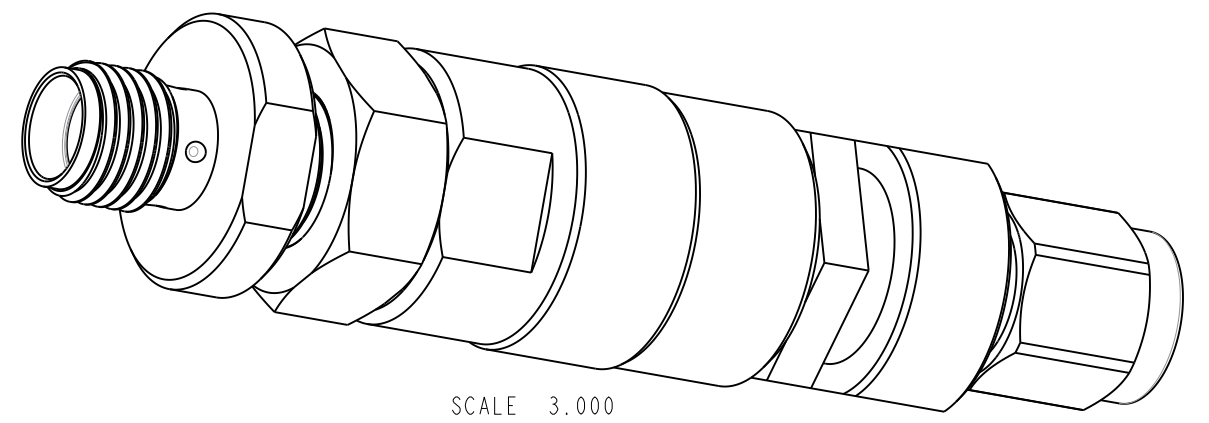
8. MATING, MATING FACE DIMENSIONS COMPATIBLE WITH THE MATING REQUIREMENTS OF MIL-C-39012/55 (TYPE SMA)
9. CONNECTOR DURABILITY, (SMA INTERFACE) 500 CYCLES OF MATING AND UNMATING WITHOUT DETERIORATION

MATERIAL:

10. CENTER CONTACT, BERYLLIUM COPPER, GOLD PLATED
11. CONNECTOR BODY, BRASS OR BERYLLIUM COPPER, GOLD PLATED
12. ADJUSTING NUTS AND LOCKING NUTS, BRASS, NICKEL PLATED
13. CONNECTOR COUPLING NUT, STAINLESS STEEL, PASSIVATED
14. INSULATION, TFE

ENVIRONMENTAL:

15. SHOCK, MIL-STD. 202 METHOD 213 (TEST COND. I)
16. VIBRATION, MIL-STD. 202 METHOD 204 (TEST COND. D)
17. CORROSION, MIL-STD. 202 METHOD 101 (TEST COND. B)
18. TEMPERATURE RANGE, -65 °C TO +125 °C



CUSTOMER OUTLINE DRAWING
ALL OTHER SHEETS ARE FOR INTERNAL USE ONLY

UNLESS OTHERWISE SPECIFIED, DIMENSIONS ARE IN METRIC AND TOLERANCES ARE: <0.5mm ± 0.05mm 0.5 - 6mm ± 0.1mm 6 - 30mm ± 0.2mm 30 - 120mm ± 0.3mm ANGLES ± 1°	MATERIAL	DRAWN	DATE	TITLE		Amphenol RF www.amphenolrf.com
	REFERENCE	R. BIERASINSKI	05-Jun-13	PHASE ADJUSTABLE ADAPTOR - SMA MALE TO SMA FEMALE		
NOTICE - These drawings, specifications, or other data (1) are, and remain the property of Amphenol corp. (2) must be returned upon request; and (3) are confidential and not to be disclosed to any person other than those to whom they are given by Amphenol Corp. the furnishing of these drawings, specifications, or other data by Amphenol Corp., or to any other person to anyone for any purpose is not to be regarded by implication or otherwise in any manner licensing, granting rights to permitting such holder or any other person to manufacture, use or sell any product, process or design, patented or otherwise, that may in any way be related to or disclosed by said drawings, specifications, or other data.	EAR# ---	ENGINEER	DATE	SCALE: 1.0:1.0 SHEET 2 OF 2		DRAWING NO. 901-508-2
	REF: RAYTHEON / ARMY 11459703	K. CAPOZZI	02-Mar-87	6/19/13	DWG SIZE	ITEM NO. 901-508-2
	CONFIGURATION LEVEL: In Work	FINISH	APPROVED	DATE	B	REV G