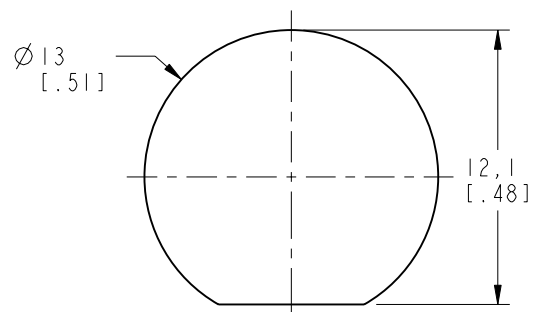
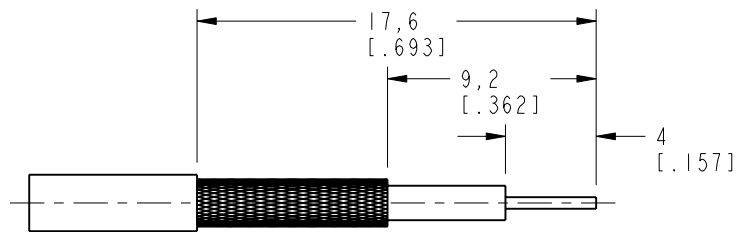


NOTES:

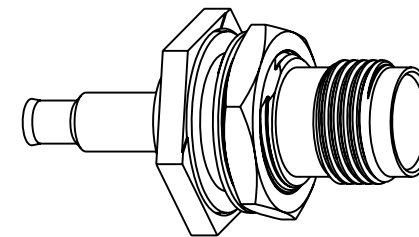
- MATERIALS AND FINISHES(PLATING THICKNESS IN MICRO-INCHES):
 BODY - BRASS, NICKEL PLATING
 CONTACT - PHOSPHOR BRONZE, GOLD PLATING
 INSULATOR - DELRIN, NATURAL
- ELECTRICAL:
 A. IMPEDANCE: 50 OHM
- CRIMPED FERRULE: HEX CRIMP SIZE .178"
- CRIMPED CONTACT PIN: HEX CRIMP SIZE .068"
- MAX. PANEL THICKNESS=3.5mm



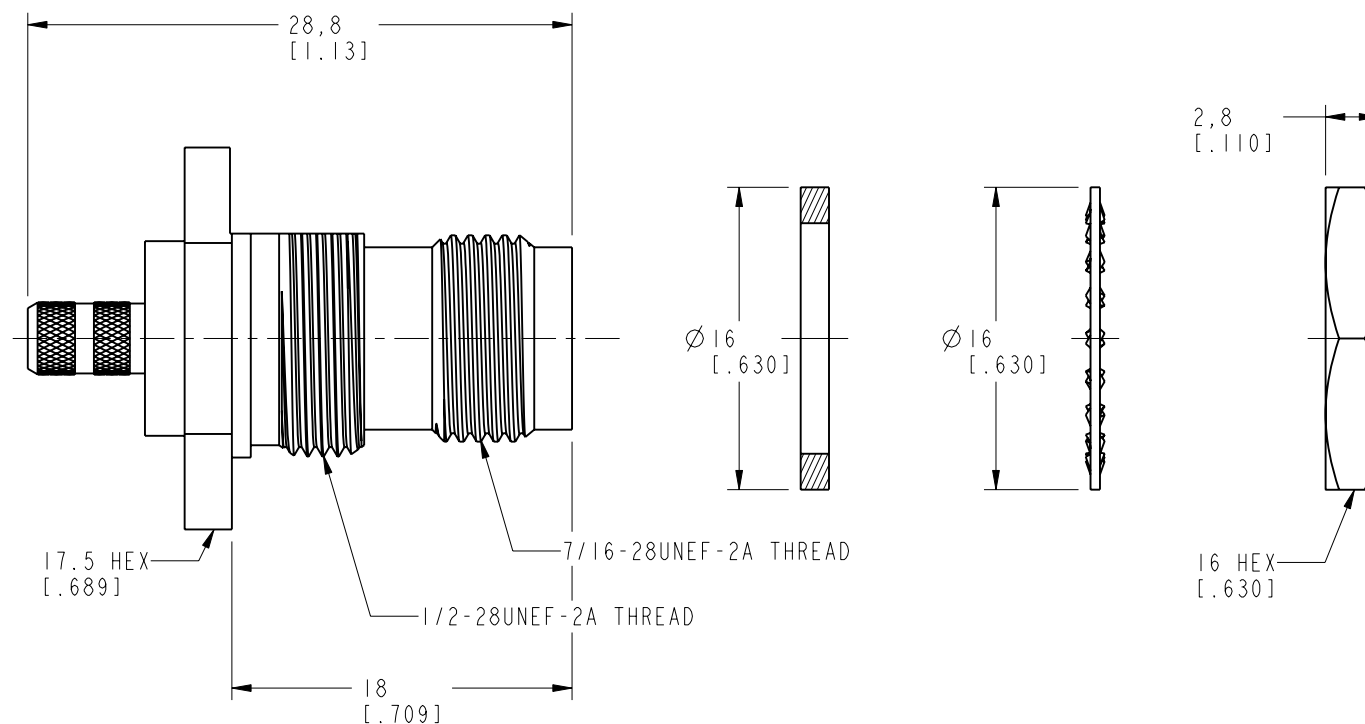
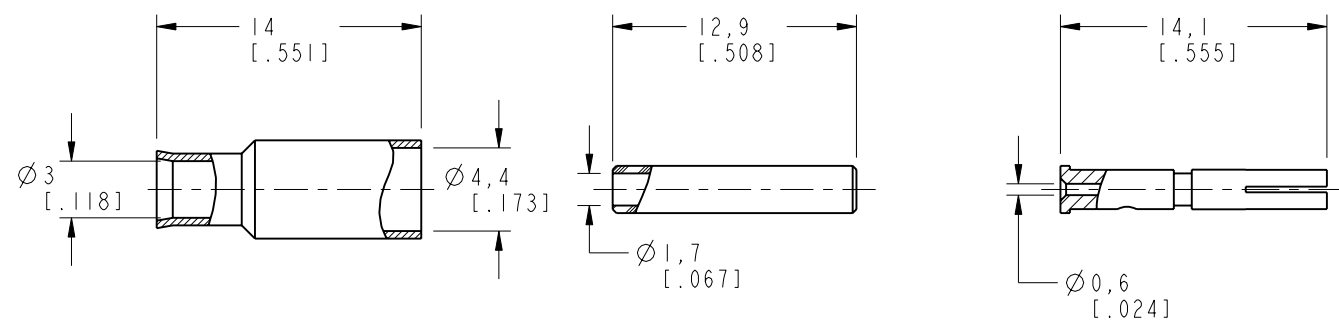
SCALE 3.000
 RECOMMENDED MOUNTING HOLE DIMENSIONS



RECOMMENDED CABLE STRIPPING



SCALE 1.500



CUSTOMER OUTLINE DRAWING
 ALL OTHER SHEETS ARE FOR INTERNAL USE ONLY

UNLESS OTHERWISE SPECIFIED, DIMENSIONS ARE IN METRIC AND TOLERANCES ARE:
 <0.5mm ±0.05mm 0.5 - 6mm ±0.1mm 6 - 30mm ±0.2mm 30 - 120mm ±0.3mm ANGLES ±1°

NOTICE - These drawings, specifications, or other data (1) are, and remain the property of Amphenol corp. (2) must be returned upon request; and (3) are confidential and not to be disclosed to any person other than those to whom they are given by Amphenol Corp. the furnishing of these drawings, specifications, or other data by Amphenol Corp., or to any other person to anyone for any purpose is not to be regarded by implication or otherwise in any manner licensing, granting rights to permitting such holder or any other person to manufacture, use or sell any product, process or design, patented or otherwise, that may in any way be related to or disclosed by said drawings, specifications, or other data.

MATERIAL	
REFERENCE GEN# ASSYF23.TNC	
FINISH	

DRAWN R. MAO	DATE 15-Jun-11
ENGINEER O. BARTHELMES	DATE 1/6/03
APPROVED S. HSIEH	DATE 28-Jun-11
CAD FILE	

TITLE TNC BULKHEAD CRIMP JACK FOR RG-316/U, 188A/U, 174/U CABLE	
SCALE: 2.5:1.0	SHEET 2 OF 2
DWG SIZE B	REV C

Amphenol RF www.amphenolrf.com	
DRAWING NO. T6421E1-ND3G-316U-50	
ITEM NO. 026421AAA36ND5F	
PART NO. 31-2318-RFX	