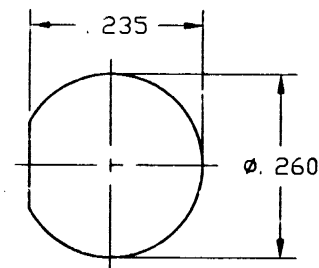
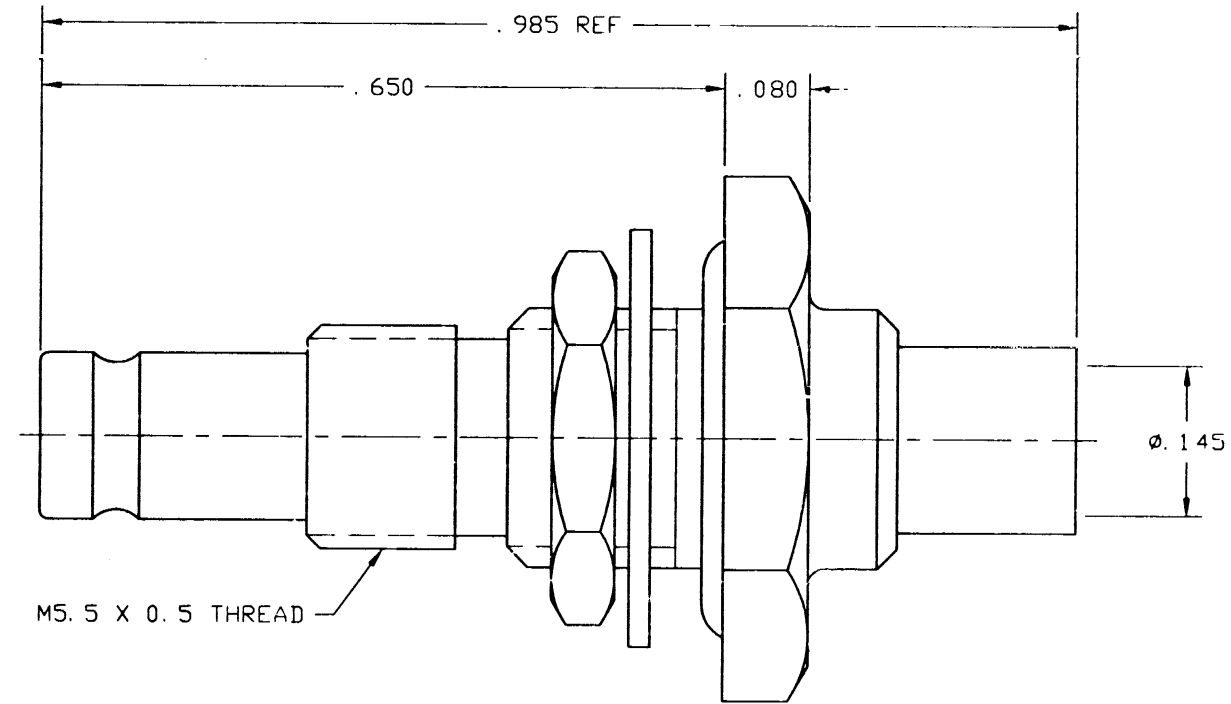
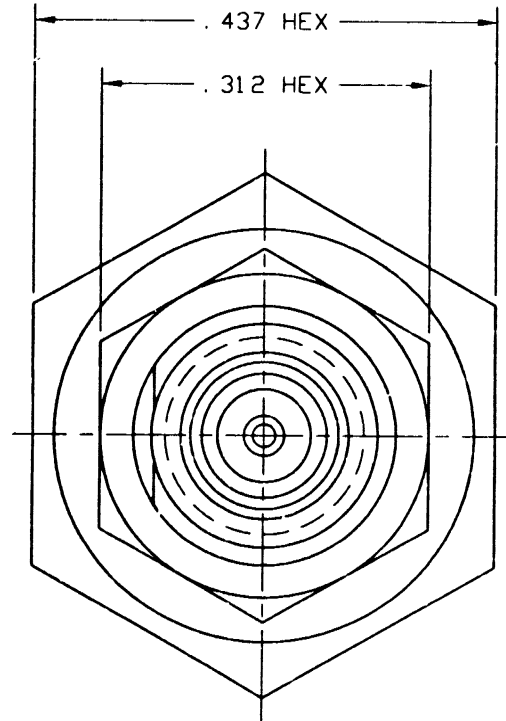


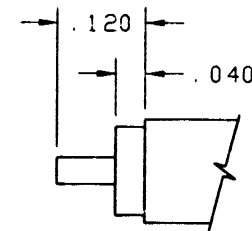
NOTES:

1. DO NOT SCALE THIS DRAWING.
2. MATERIAL AND FINISH:
 FEMALE CONTACT: BERYLLIUM COPPER, GOLD PLATED
 BODIES: BRASS, GOLD PLATED
 INSULATOR: TFE FLUOROCARBON
 LOCKWASHER: PHOSPHOR BRONZE, NICKEL PLATED
 OTHER METAL PARTS: BRASS, NICKEL PLATED

102-246-41		REVISIONS			
DRAWING NO.	REV	DESCRIPTION	DATE	ECO	APPR
THIRD ANGLE PROJ.	A	OFFICIAL ENG. RELEASE TO MFG.	2/24/99	42861	PB/TA



MOUNTING DIMENSIONS



STRIPPING DIMENSIONS

CUSTOMER DRAWING

UNLESS OTHERWISE SPECIFIED, DIMENSIONS ARE IN INCHES AND TOLERANCES ARE: 2 PLACE DECIMAL ±.015 (0.381 mm) 3 PLACE DECIMAL ±.005 (0.127 mm) ANGLES ± 1'	MATERIAL	DRAWN P. BRENZEL ENGINEER P. BRENZEL APPROVED T. AUBIN CAD FILE H:\PETE\102\1023\ASSY\24641C	DATE 23 FEB 99 DATE 23 FEB 99 DATE 23 FEB 99	TITLE 1.0/2.3 BULKHEAD JACK DIRECT SOLDER .141 SEMI-RIGID CABLE	Amphenol Amphenol Corporation RF/Microwave Operations Danbury, Conn. U.S.A. 06810 SCALE 6:1 SHEET 2 OF 2
	REFERENCE EAR 102-967118 1 SOCAPEX 102 ET 7329 01 SOCAPEX 102 246 41 615X-1522-100	CODE ID 74868 DWG SIZE B DRAWING NO. 102-246-41 ISSUE A			

NOTICE - These drawings, specifications, or other data (1) are, and remain the property of Amphenol Corp. (2) must be returned upon request; and (3) are confidential and not to be disclosed to any person other than those to whom they are given by Amphenol Corp. The furnishing of these drawings, specifications, or other data by Amphenol Corp., or to any other person to anyone for any purpose is not to be regarded by implication or otherwise in any manner licensing, granting rights or permitting such holder or any other person to manufacture, use or sell any product, process or design, patented or otherwise, that may in any way be related to or disclosed by said drawings, specifications, or other data.