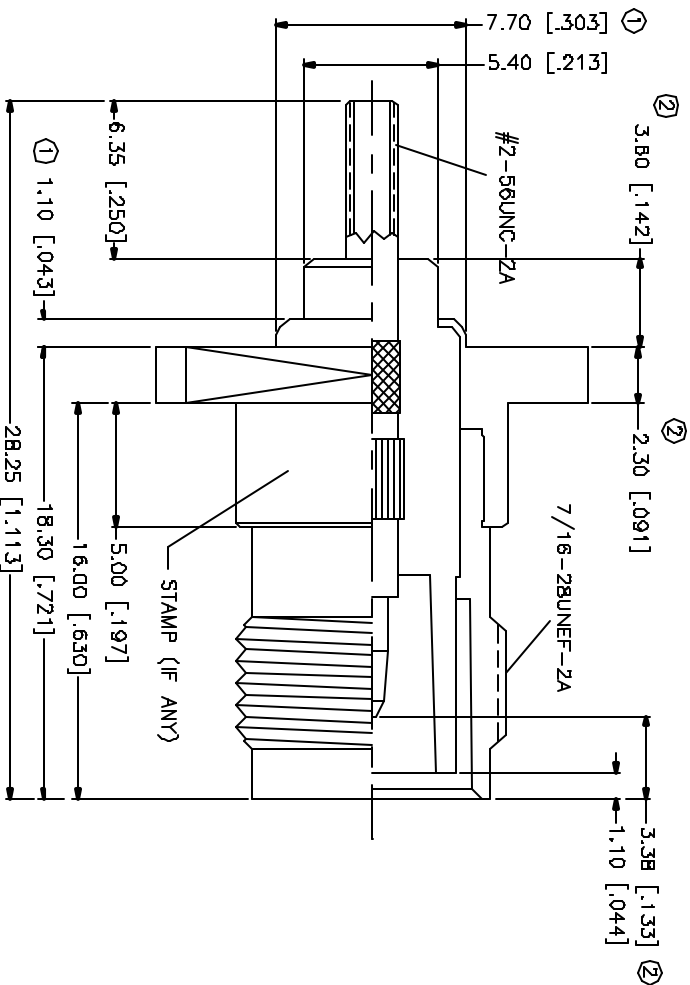
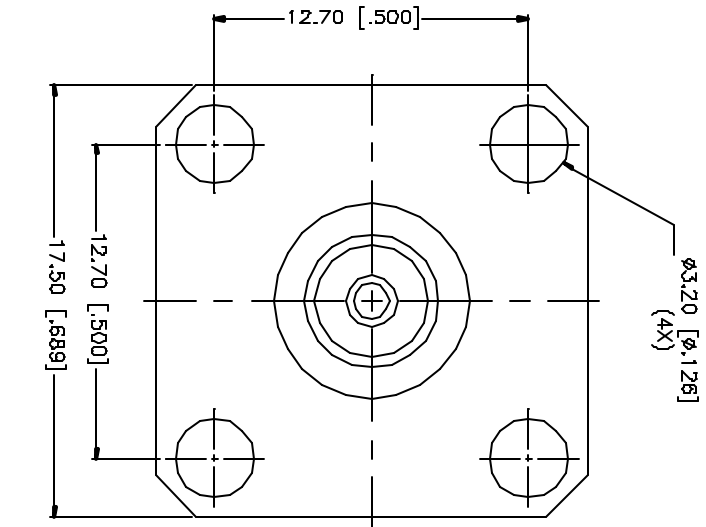


REV.	DATE	DESCRIPTION
NC	04/31/03	INITIAL RELEASE
A	03/27/05	① ADDED FLANGE DIMENSIONS
B	04/03/05	② ADDED DIMENSIONS



8						
7						
B						
B						
5						
4						
3	CONTACT PIN	BRASS	GOLD	1		
2	INSULATOR	TEFLON	NATURAL	1		
1	HOUSING/BODY	BRASS	NICKEL	1		
	DESCRIPTION	MATERIAL	FINISH	QTY		

UNLESS OTHERWISE SPECIFIED DIMENSIONS ARE IN MILLIMETERS DIMENSIONS IN [] ARE IN INCHES AND FOR DESIGNATION REFER TO: UNLESS OTHERWISE SPECIFIED DIMENSIONS ARE IN MILLIMETERS AND [] ARE IN INCHES AND FOR DESIGNATION REFER TO: UNLESS OTHERWISE SPECIFIED DIMENSIONS ARE IN MILLIMETERS AND [] ARE IN INCHES AND FOR DESIGNATION REFER TO:

UNLESS OTHERWISE SPECIFIED DIMENSIONS ARE IN MILLIMETERS DIMENSIONS IN [] ARE IN INCHES AND FOR DESIGNATION REFER TO: UNLESS OTHERWISE SPECIFIED DIMENSIONS ARE IN MILLIMETERS AND [] ARE IN INCHES AND FOR DESIGNATION REFER TO:

UNLESS OTHERWISE SPECIFIED DIMENSIONS ARE IN MILLIMETERS DIMENSIONS IN [] ARE IN INCHES AND FOR DESIGNATION REFER TO: UNLESS OTHERWISE SPECIFIED DIMENSIONS ARE IN MILLIMETERS AND [] ARE IN INCHES AND FOR DESIGNATION REFER TO:

APPROVALS	DATE
DRAWN G.R.S.	04/03/05
CHECKED	
ISSUED	
SHEET 1 OF 1	
DWG FILE C:/122/122248RP-10.DWG	

TNC REVERSE POLARITY PANEL JACK (#2-56 THREADED POST)

122248RP-10

DWG NO.	REV.	SIZE	SCALE
122248RP-10	B	A	NA