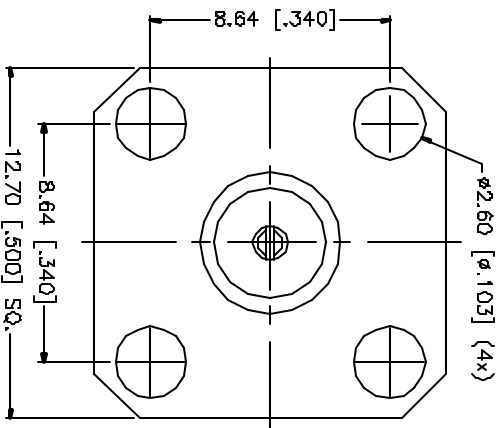
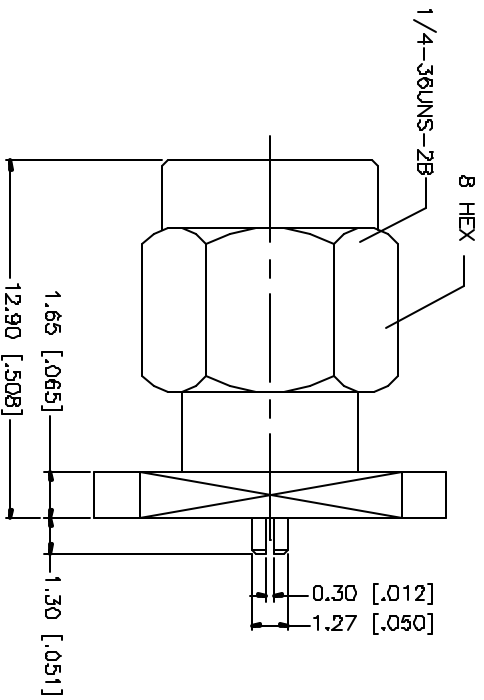


REV.	DATE	DESCRIPTION
NC	07/07/04	INITIAL RELEASE



REV	DESCRIPTION	MATERIAL	FINISH	QTY	UNLESS OTHERWISE SPECIFIED DIMENSIONS ARE IN MILLIMETERS, DIMENSIONS IN PARENS ARE IN INCHES AND RSK (RIBS) REFER TO THE MFG. TOLERANCES FOR MANUFACTURING ARE:	APPROVALS	DATE	PART DESCRIPTION
8					0.5 - 0.01mm ± 0.001mm			Amphenol Connex SMA PANEL RECEPTACLE PLUG SLOT POST - 0.3 [0.012]
7					0.15 - 0.01mm ± 0.001mm			
6					0.15 - 0.01mm ± 0.001mm			
5					0.15 - 0.01mm ± 0.001mm			
4					0.15 - 0.01mm ± 0.001mm			
3	CONTACT PIN	BRASS	GOLD	1	UNLESS OTHERWISE SPECIFIED DIMENSIONS ARE IN MILLIMETERS, DIMENSIONS IN PARENS ARE IN INCHES AND RSK (RIBS) REFER TO THE MFG. TOLERANCES FOR MANUFACTURING ARE:			
2	INSULATOR	TEFLON	NATURAL	1	0.250 - 0.315 - ± 0.007"			
1	BODY	BRASS	GOLD	1	0.315 - 1.180 - ± 0.016" 1.180 - 4.724 - ± 0.025"			
	DESCRIPTION	MATERIAL	FINISH	QTY	DO NOT SCALE DRAWING			

APPROVALS	DATE
DRAWN G.R.S.	07/07/04
CHECKED	
INSULD	
SHEET 1 OF 1	

CAD FILE	DWG. NO.	REV.	NC	SIZE	SCALE
C:/132/132152.DWG	132152.DWG		NC	A	NA