

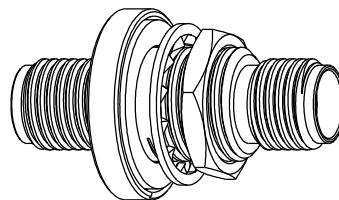
NOTES:

- MATERIALS AND FINISHES:
  - HEX NUT - BRASS, GOLD PLATING
  - LOCK WASHER - BRASS, GOLD PLATING
  - BODY - BRASS, GOLD PLATING
  - CONTACT - BERYLLIUM COPPER, GOLD PLATING
  - GASKET - SILICONE RUBBER, RED
  - INSULATOR - PTFE, NATURAL
- ELECTRICAL:
  - A. IMPEDANCE: 50 OHM
  - B. FREQUENCY RANGE: 0-18 GHz
  - C. VSWR (RETURN LOSS): 1.300 (-17.7 dB) MAX.
  - D. D.W.V: 1000 VRMS, MIN.
- MECHANICAL:
  - A. DURABILITY: 500 CYCLES MIN.
  - B. TEMPERATURE RANGE: -65°C TO +165°C
- MAX. PANEL THICKNESS=4.3mm

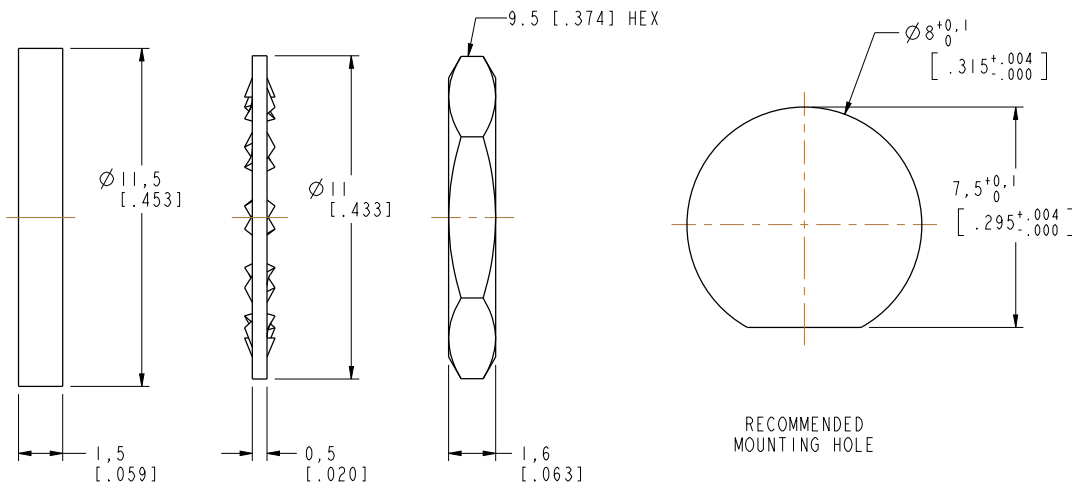
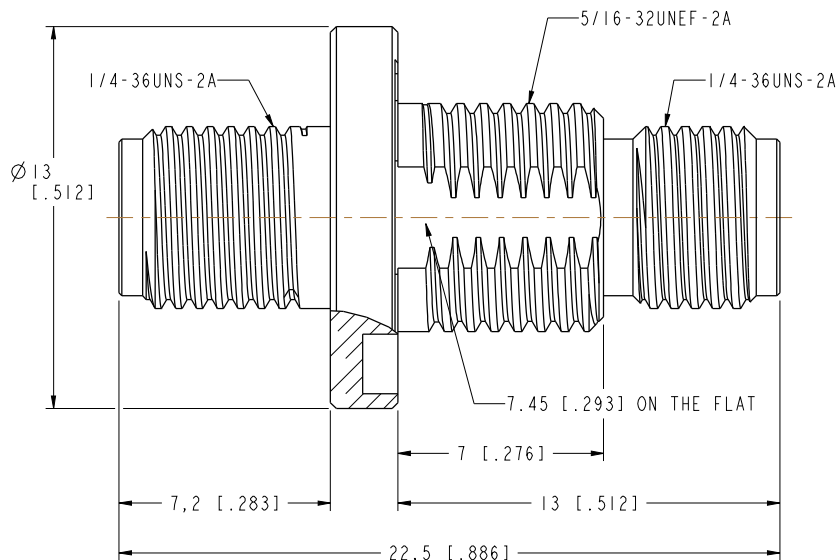
THIRD ANGLE PROJ.

REVISIONS

REV	DESCRIPTION	DATE	ECO	APPR
NC	INITIAL RELEASE	12-Aug-09	----	CW
A	THE DESIGN WAS CHANGED & UPDATE DRAWING FORMAT	05-Jan-15	2843	MZ
B	SYNCH DWGS	21-Jan-15	50369	MZ



SCALE 3.000



RECOMMENDED MOUNTING HOLE

**CUSTOMER OUTLINE DRAWING**  
ALL OTHER SHEETS ARE FOR INTERNAL USE ONLY

UNLESS OTHERWISE SPECIFIED, DIMENSIONS ARE IN METRIC AND TOLERANCES ARE: <0.5mm ±0.05mm    0.5 - 6mm ±0.1mm    6 - 30mm ±0.2mm    30 - 120mm ±0.3mm    ANGLES ±1°	MATERIAL	DRAWN M.ZHANG ENGINEER S.DUAN	DATE 21-Jan-15 DATE 21-Jan-15	TITLE SMA BULKHEAD JACK TO JACK ADAPTER SCALE: 6.0:1.0   SHEET 3 OF 3	Amphenol Connex
	NOTICE - These drawings, specifications, or other data (1) are, and remain the property of Amphenol corp. (2) must be returned upon request; and (3) are confidential and not to be disclosed to any person other than those to whom they are given by Amphenol Corp., the furnishing of these drawings, specifications, or other data by Amphenol Corp., or to any other person to anyone for any purpose is not to be regarded by implication or otherwise in any manner licensing, granting rights to permitting such holder or any other person to manufacture, use or sell any product, process or design, patented or otherwise, that may in any way be related to or disclosed by said drawings, specifications, or other data.	REFERENCE SMA7471A1-3GT5GP-50 CONFIGURATION LEVEL: In Work	APPROVED S.HSIEH CAD FILE		
	FINISH			DWG SIZE B REV B	