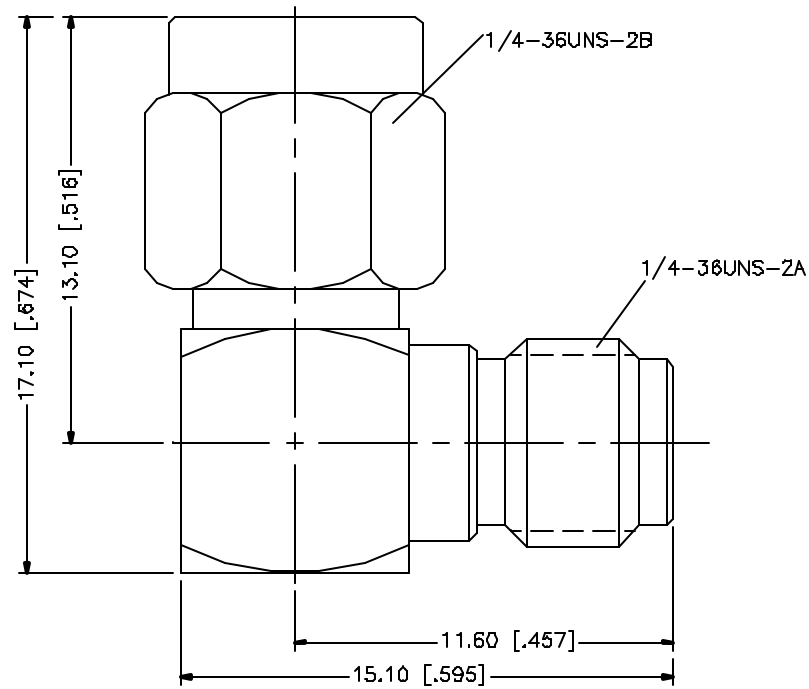


REV.	DATE	DESCRIPTION
NC	08/01/99	INITIAL RELEASE
A	05/01/04	UPDATE DRAWING FORMAT



8					<p>UNLESS OTHERWISE SPECIFIED DIMENSIONS ARE IN MILLIMETERS DIMENSIONS IN [ ] ARE IN INCHES AND FOR CUSTOMER REFERENCE ONLY.</p> <p>UNLESS OTHERWISE SPECIFIED TOLERANCES FOR MILLIMETERS ARE:  0.5 - 8mm ± 0.20mm  8 - 30mm ± 0.40mm  30 - 120mm ± 0.50mm</p> <p>UNLESS OTHERWISE SPECIFIED TOLERANCES FOR INCHES ARE:  .020 - .315 = ± 0.007"  .315 - 1.180 = ± 0.015"  1.180 - 4.724 = ± 0.020"</p> <p>DO NOT SCALE DRAWING</p>	APPROVALS	DATE	<h1 style="color: blue; text-align: center;">Amphenol Connex</h1>						
7						DRAWN	G.R.S.					05/01/04	PART DESCRIPTION	
6							CHECKED			SMA MALE TO FEMALE R/A ADAPTOR				
5							ISSUED							PART NO.
4	CONTACT PIN	BER. COPPER	GOLD	1			SHEET	1 OF 1		132172				
3	CONTACT PIN	BRASS	GOLD	1					DWG. NO. 132172.DWG					
2	INSULATOR	TEFLON	NATURAL	1					REV.	A	SIZE	A	SCALE	NA
1	HOUSING/BODY	BRASS	GOLD	1										
	DESCRIPTION	MATERIAL	FINISH	QTY				CAD FILE						
								C:/132/132172.DWG						