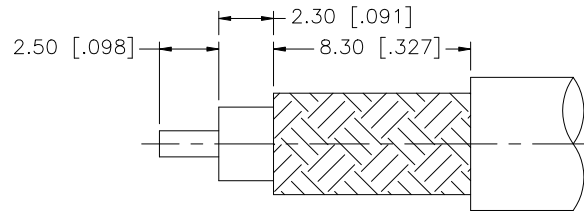
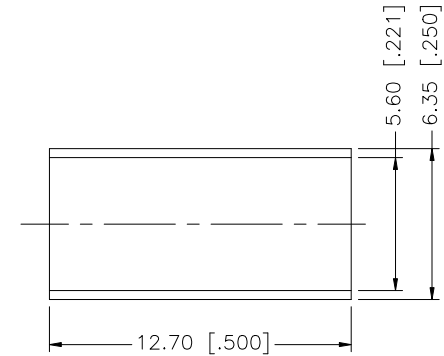
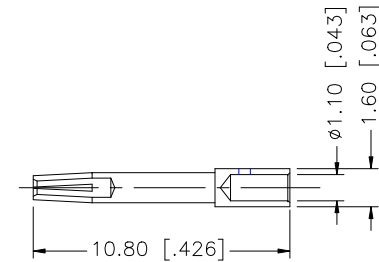
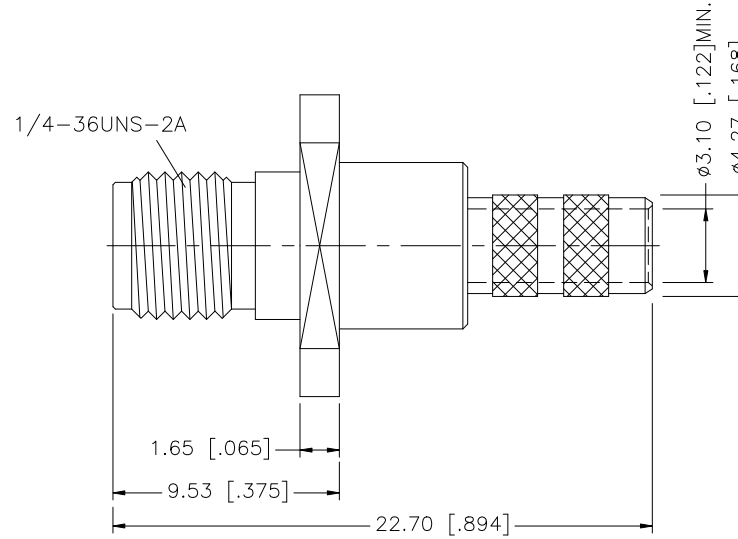
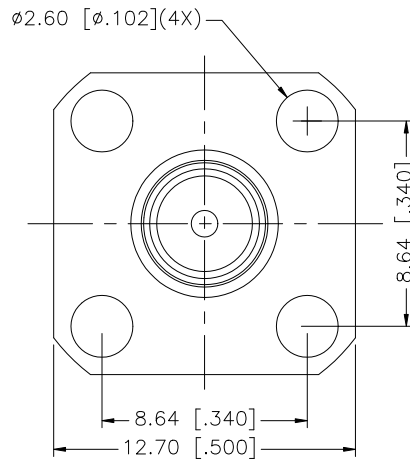


REV.	DATE	DESCRIPTION
NC	10/24/07	INITIAL RELEASE



RECOMMENDED  
CABLE STRIPPING DIM'S



NOTES:

1. CRIMPED FERRULE HEX CRIMP SIZE .213"
2. CRIMPED CONTACT PIN OR SOLDER

8				
7				
6				
5				
4	FERRULE	COPPER	GOLD	1
3	CONTACT PIN	BER. COPPER	GOLD	1
2	INSULATOR	TEFLON	NATURAL	1
1	BODY	BRASS	GOLD	1
	DESCRIPTION	MATERIAL	FINISH	QTY

UNLESS OTHERWISE SPECIFIED DIMENSIONS ARE IN MILLIMETERS. DIMENSIONS IN [ ] ARE IN INCHES AND FOR CUSTOMER REFERENCE ONLY.

UNLESS OTHERWISE SPECIFIED TOLERANCES FOR MILLIMETERS ARE:  
0.5 - 8mm ± 0.20mm  
8 - 30mm ± 0.40mm  
30 - 120mm ± 0.50mm

UNLESS OTHERWISE SPECIFIED TOLERANCES FOR INCHES ARE:  
.020 - .315 ± 0.007"  
.315 - 1.180 ± 0.015"  
1.180 - 4.724 ± 0.020"

DO NOT SCALE DRAWING

APPROVALS	DATE
DRAWN G.R.S.	10/24/07
CHECKED	
ISSUED	
SHEET 1 OF 1	
CAD FILE	C:/132/132254.DWG

# Amphenol Connex

SMA PANEL CRIMP JACK  
(FOR RG-55/U, 142A/U, 223/U, 400/U)

PART DESCRIPTION	SMA PANEL CRIMP JACK (FOR RG-55/U, 142A/U, 223/U, 400/U)		
PART NO.	132254		
DWG. NO.	132254.DWG	REV. NC	SCALE NA