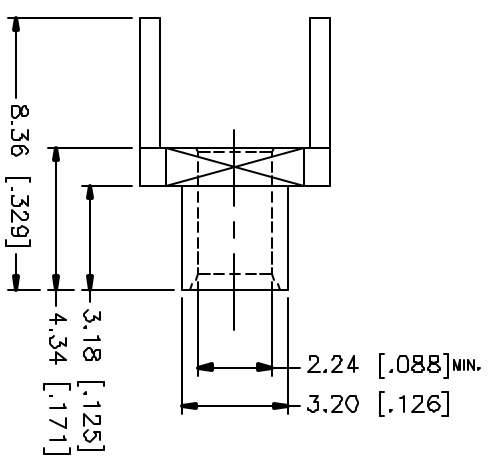
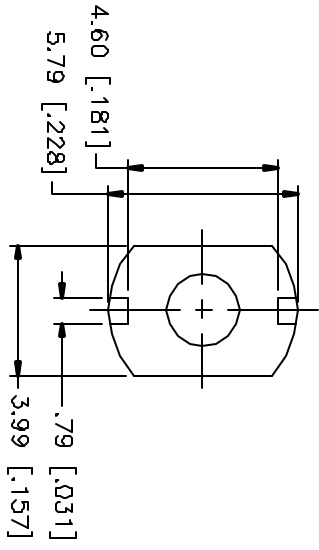
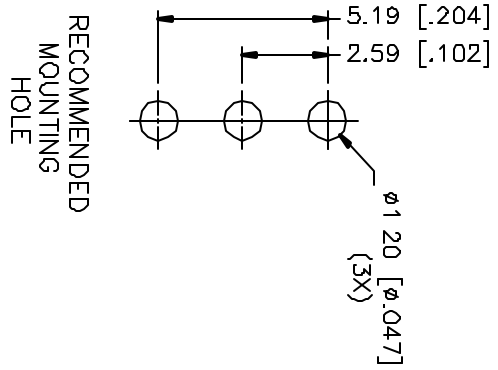
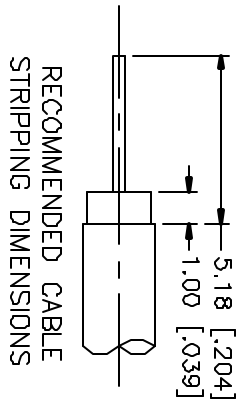


REV.	DATE	DESCRIPTION
NC	04/21/01	INITIAL RELEASE



DESCRIPTION	MATERIAL	FINISH	UNLESS OTHERWISE SPECIFIED DIMENSIONS ARE IN MILLIMETERS FOR CUSTOMER REFERENCE ONLY	APPROVALS	DATE	TITLE	SCALE	PART NO.	DWG. NO.	SHEET	REV.		
1 BODY	BRASS	GOLD	UNLESS OTHERWISE SPECIFIED DIMENSIONS ARE IN MILLIMETERS FOR CUSTOMER REFERENCE ONLY UNLESS OTHERWISE SPECIFIED TOLERANCES FOR MILLIMETERS ARE: 0.5-6 = ± 0.2 6-30 = ± 0.4 30-120 = ± 0.8 120-315 = ± 1.1 315-1000 = ± 1.6 1000-2000 = ± 2.4	DRAWN	G.R.S.	04/21/01	Comnex Connector Corporation PCB MOUNT CABLE TERMINATION (FOR .085", .086" SEMI RIGID CABLE)	NA	142305	1	OF 1	NC	
2				CHECKED									
3					ISSUED								
4													
5													
6													
7													
8				DO NOT SCALE DRAWING									