

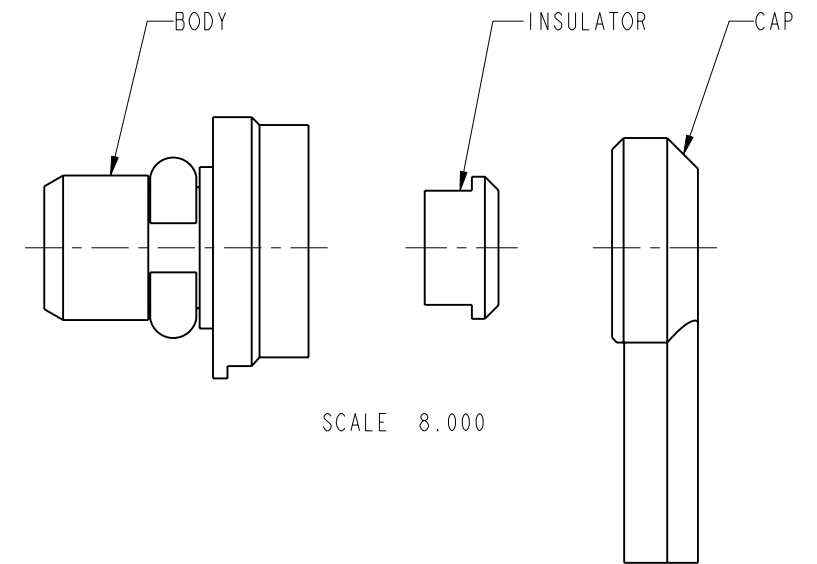
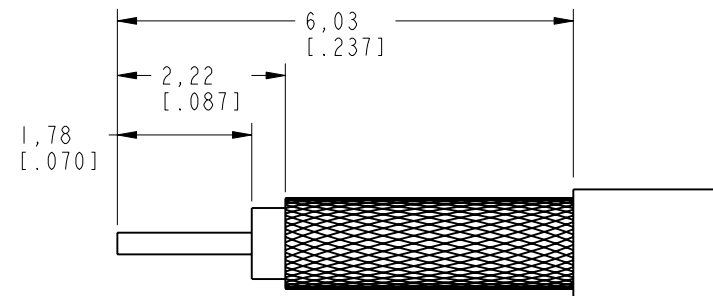
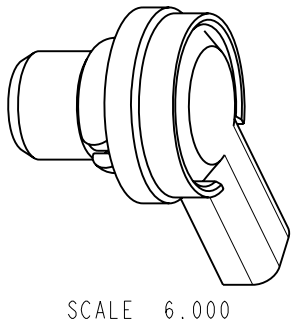
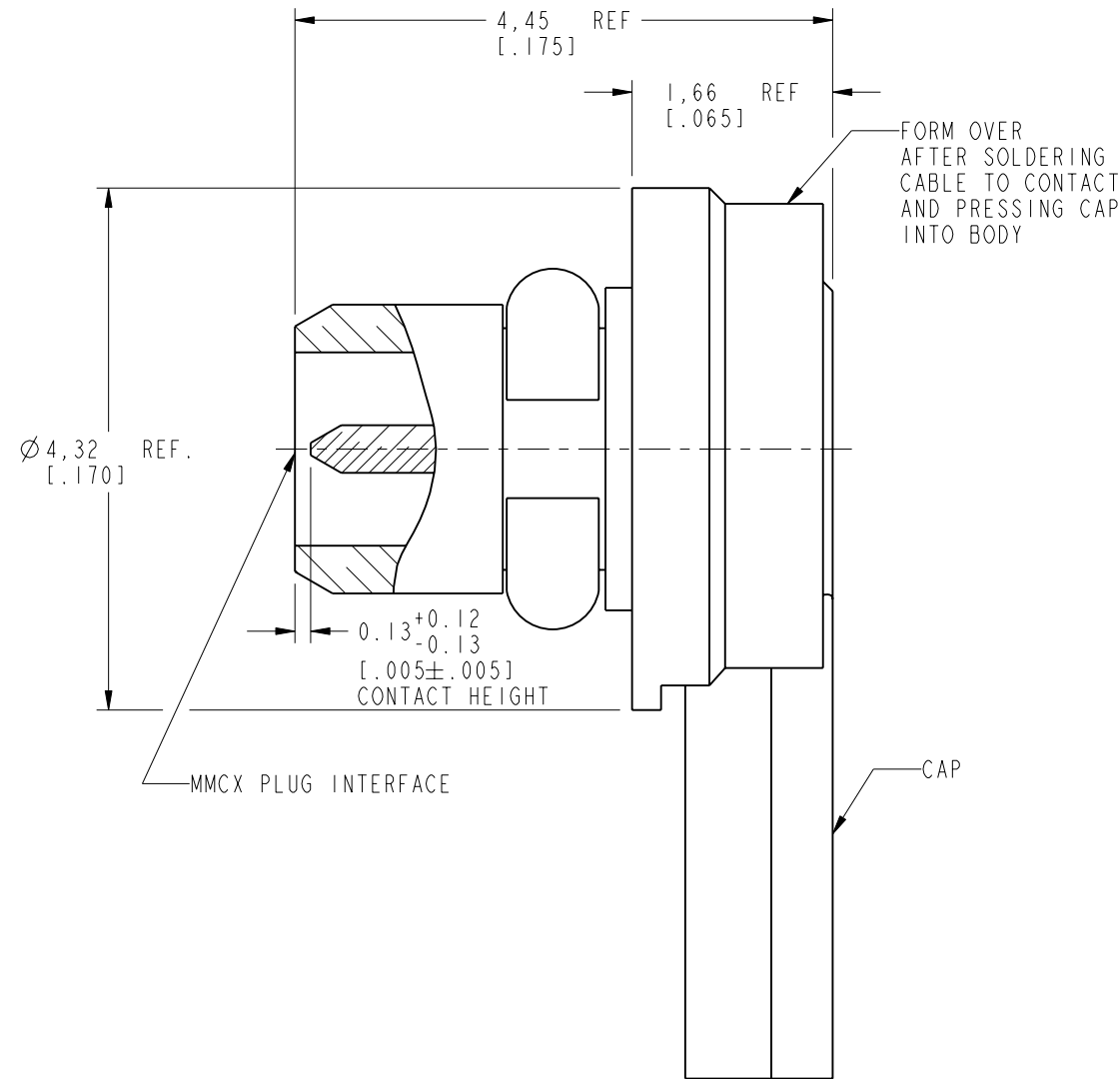
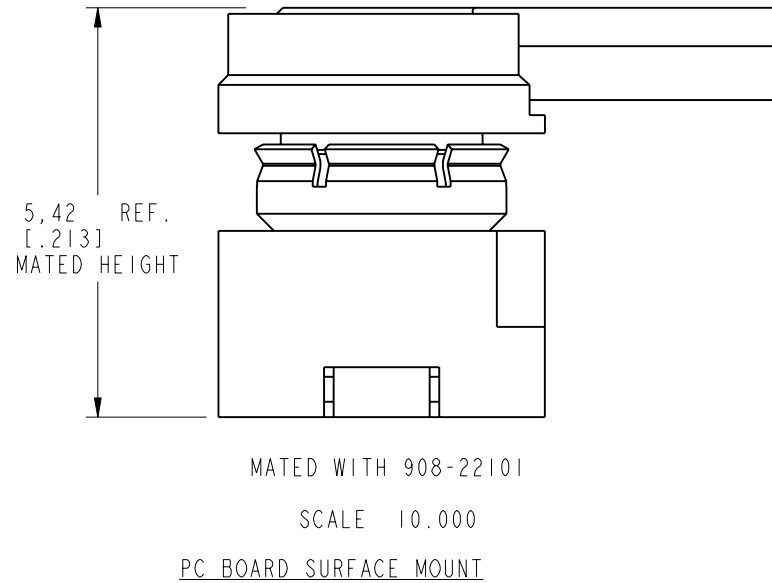
NOTES:

1. MATERIAL AND FINISH:
 BODY - BRASS, GOLD PLATING
 CONTACT - BRASS, GOLD PLATING
 INSULATORS - PTFE, NATURAL
2. CAP TO BE SUPPLIED LOOSE. CAP TO BE PRESSED INTO BODY UNTILL BOTTOMED AT CABLE ASSEMBLY.
3. PACKAGE CONNECTOR IN ANTI-STATIC BAG, MARK BAG: "908-43715" AND DATE CODE.
4. REMOVED

THIRD ANGLE PROJ.

REVISIONS

REV	DESCRIPTION	DATE	ECN	APPR
A	RELEASE TO MFG.	3/1/04	44823	GSA
F	ADDED INSULATOR BEHIND CONTACT; UPDATED CABLE STRIPPING DIMENSIONS; ADDED CONTACT HEIGHT: 0.13 ± 0.13 [.005±.005]. NOTE 4 (RETENTION). \RD-DMI4102401S2	30-Oct-14	49905	MJD
G	5,42 WAS 5.33, 4.45 WAS 4.37, 1.66 WAS 1.57 NOTE 4 TEXT REMOVED	08-Aug-18	08802	BEW



CUSTOMER OUTLINE DRAWING

ALL OTHER SHEETS ARE FOR INTERNAL USE ONLY

UNLESS OTHERWISE SPECIFIED, DIMENSIONS ARE IN METRIC AND TOLERANCES ARE: <0.5mm ± 0.05mm 0.5 - 6mm ± 0.1mm 6 - 30mm ± 0.2mm 30 - 120mm ± 0.3mm ANGLES ± 1°	MATERIAL	DRAWN	DATE	TITLE MMCX LOW PROFILE ANGLE PLUG FOR .047 SEMI RIGID CABLE SCALE: 16.0:1.0 SHEET 2 OF 2		Amphenol RF www.amphenolrf.com	
	REFERENCE	ENGINEER	DATE				
NOTICE - These drawings, specifications, or other data (1) are, and remain the property of Amphenol corp. (2) must be returned upon request; and (3) are confidential and not to be disclosed to any person other than those to whom they are given by Amphenol Corp. the furnishing of these drawings, specifications, or other data by Amphenol Corp., or to any other person to anyone for any purpose is not to be regarded by implication or otherwise in any manner licensing, granting rights to permitting such holder or any other person to manufacture, use or sell any product, process or design, patented or otherwise, that may in any way be related to or disclosed by said drawings, specifications, or other data.	EAR# 1226	G. ANTONINI	11-Dec-03	DRAWING NO. 908-43715 ITEM NO. 908-43715 PART NO. 908-43715			
	REF: 615X-2006	APPROVED	DATE				
CONFIGURATION LEVEL: In Work	FINISH	S. HSIEH	13-Aug-18	DWG SIZE	REV		
				B	G		