

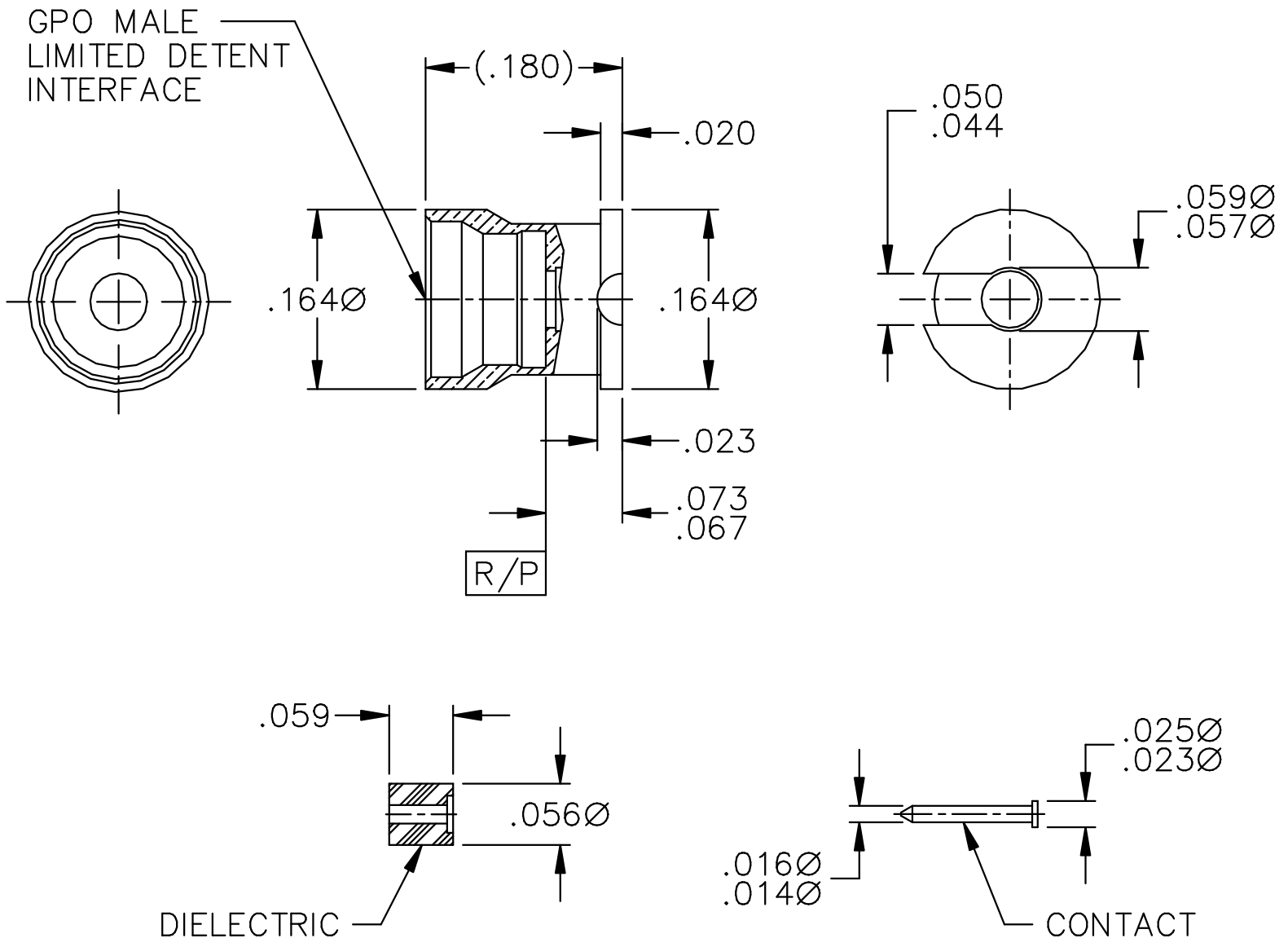
This drawing and any data contained therein is the property of Gilbert Engineering Co., Inc., and constitutes and contains proprietary and confidential information. Neither receipt nor possession of this drawing confers or transfers any right to duplicate, use, or disclose any information contained herein except as expressly authorized by Gilbert Engineering Co. Inc.

REV.	DESCRIPTION		APP'D.
B	SEE ECO GM-7488	8-14-97	

MATERIAL AND FINISH

SHROUD AND CONTACT: BERYLLIUM COPPER PER ASTM B 196 AND/OR ASTM B 197.
GOLD PLATE PER MIL-G-45204; TYPE I, GRADE C, CLASS 1.

DIELECTRIC: TORLON (POLYAMIDE-IMIDE) PER ASTM D 5204.



ALL DIMENSIONS ARE IN INCHES

CAT. NO. 0119-409-1

CODE IDENT NO. 82316

GILBERT ENGINEERING CO., INC.

BY	DATE
DRAWN: HCP	8-14-97
ASSEMBLY PROCEDURES: NONE	
SOURCE FILE: SK-0802 MECR #429	SHT. 1 OF 1

TITLE
OUTLINE DRAWING FOR GPO MALE LIMITED DETENT SURFACE MOUNT
DWG. NO. OL-0119-409-1
REV B