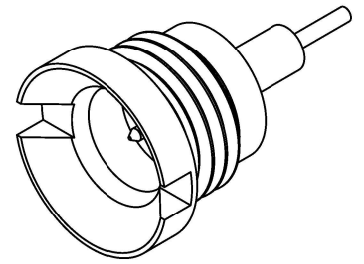


CATALOG NUMBER	A±.010	B
0119-424-3-1	.070	.040
0119-424-3-2	.100	.040
0119-424-3-3	.200	.110
0119-424-3-4	.350	.260

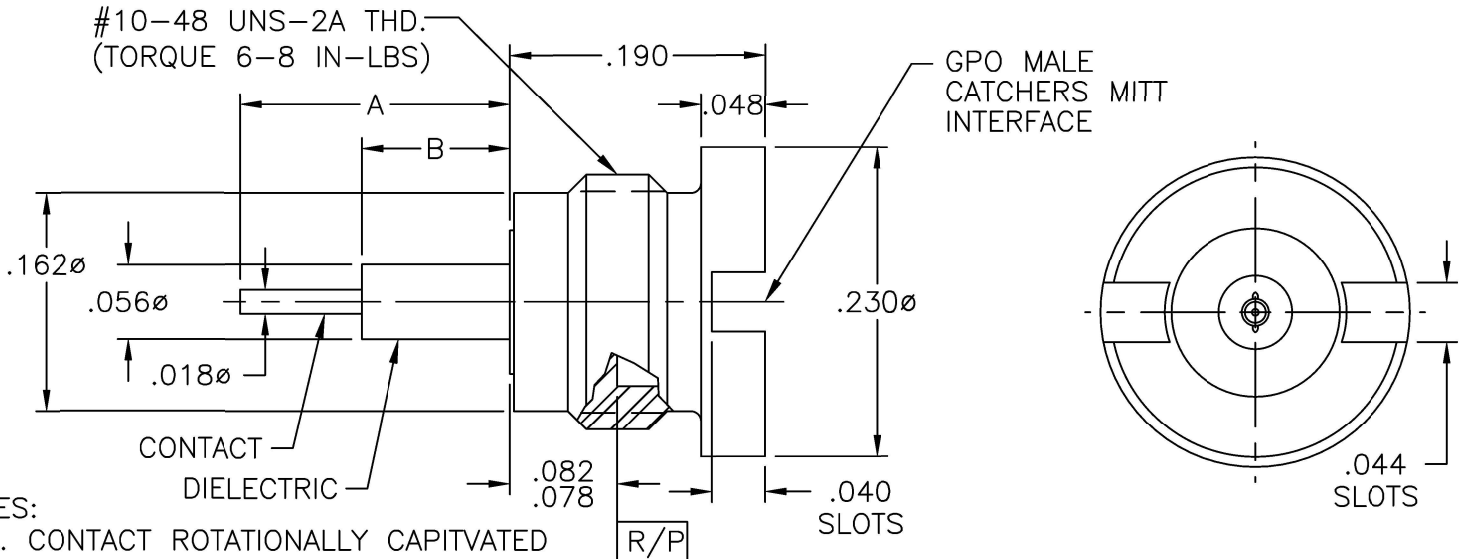


MATERIAL AND FINISH

SHROUD AND OUTER CONDUCTOR: CRES 303; PASSIVATED

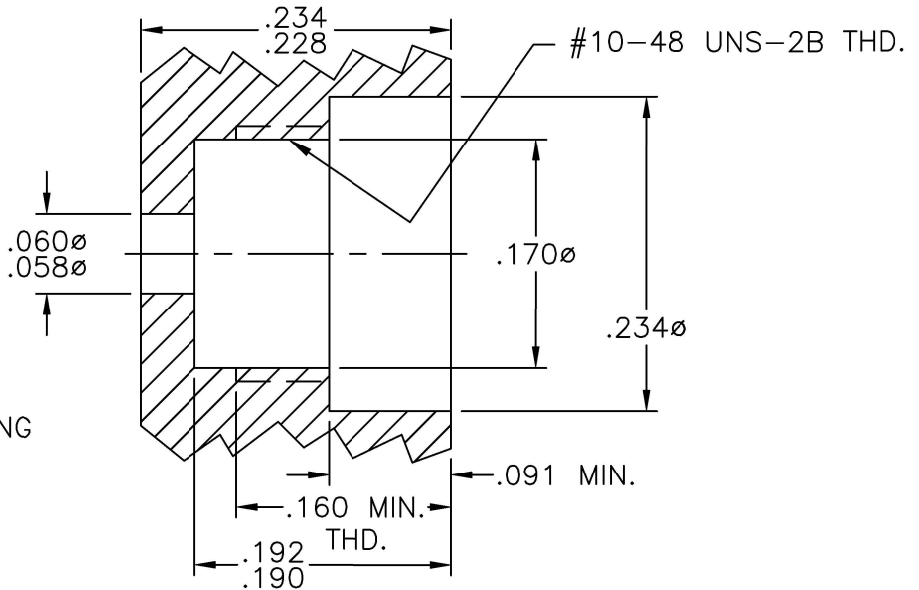
CENTER CONTACT: BeCu; GOLD PLATE 75 MICROINCHES TYP. OVER NICKEL PLATE 100 MICROINCHES TYP.

DIELECTRIC: VIRGIN PTFE



NOTES:
1. CONTACT ROTATIONALLY CAPTIVATED IN RELATION TO OUTER HOUSING.

RECOMMENDED MOUNTING HOLE



RECOMMENDED TOOLING
THREAD-IN DRIVER
-9001-974-0

CORNING RESTRICTED - This drawing and any data contained herein is the proprietary and confidential information of Corning. Neither receipt nor possession of this drawing provides any right to duplicate, use, or disclose any information contained herein except with the express written consent of Corning.
EXPORT CONTROL - This document contains information within the purview of the Export Administration Regulations (EAR), 15 CFR 730-774, and may be export controlled.

GPO MALE
CATCHERS MITT TO
STRAIGHT TERMINAL

IDENT CODE:
82316
REVISION: C

CORNING

SOURCE FILE: SK-1003

DWG. NO.: OL-0119-424-3-TAB

ASSY. PROC.: AP01-057