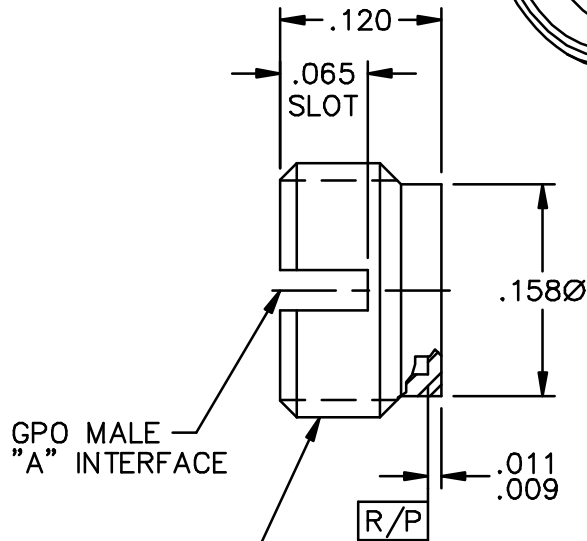
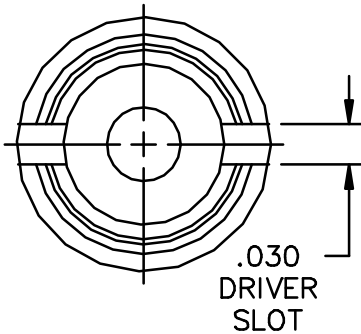
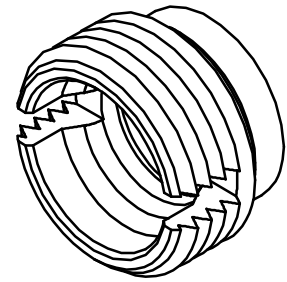


CATALOG NUMBER	"A" INTERFACE
A003-A23-01	FULL DETENT
A003-A24-01	LIMITED DETENT
A003-A25-01	SMOOTH BORE

MATERIAL AND FINISH

SHROUD: CRES 303; PASSIVATED



#10-48 UNS-2A THD.
(TORQUE 6-8 IN-LBS)

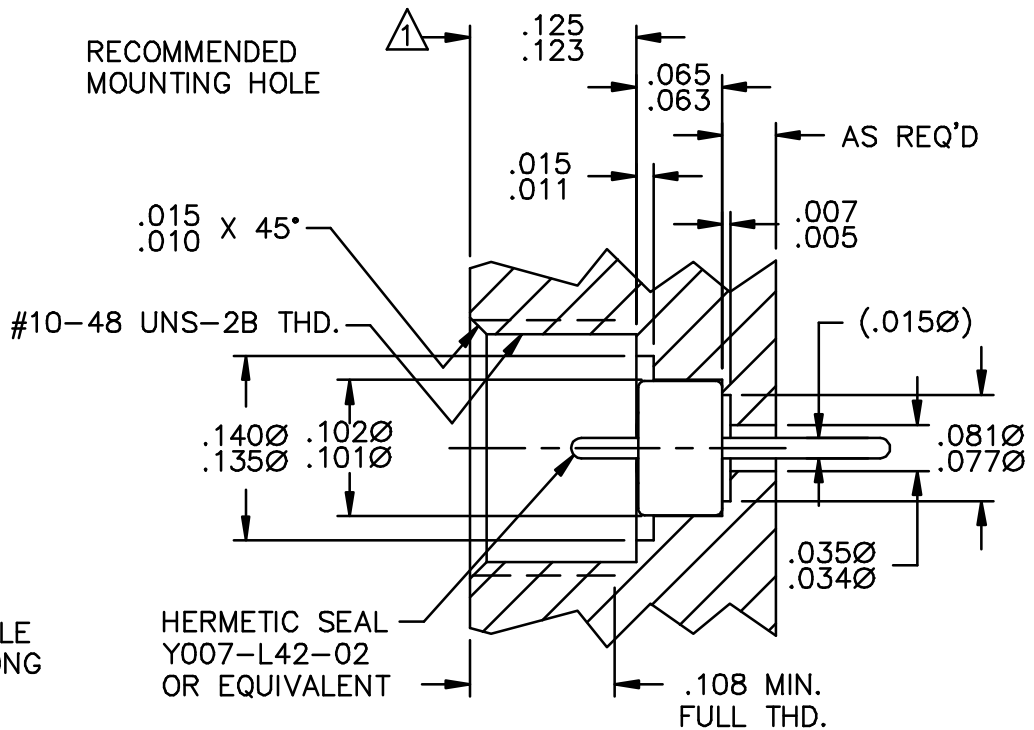
RECOMMENDED TOOLING

- SEAL LOCATING TOOL
A090-A99-01
- SHROUD DRIVER
A097-A99-01 (FULL DETENT)
A097-A99-02 (LIMITED DETENT)
A097-A99-03 (SMOOTH BORE)
- STARTING TAP
L091-A99-01
- BOTTOM TAP
L091-A99-02

NOTES:

⚠ DIMENSION SHOWN IS FOR SHROUD FACE FLUSH WITH MODULE WALL. USE .139-.141 FOR FLUSH MODULE TO MODULE CONDITION WITH .254 INCH LONG INTERCONNECT.

RECOMMENDED MOUNTING HOLE



This drawing and any data contained herein is the property of Corning Gilbert Inc., and constitutes and contains proprietary and confidential information. Neither receipt nor possession of this drawing confers or transfers any right to duplicate, use or disclose any information contained herein except as expressly authorized by Corning Gilbert Inc.

GPO THREAD-IN
SHROUD
(TAB DETENT)

IDENT CODE:
82316

REVISION: B

Corning Gilbert Inc.

SOURCE FILE: MECR# 1581

DWG. NO.:

OL-A003-A2X-01

ASSY. PROC.: AP01-024