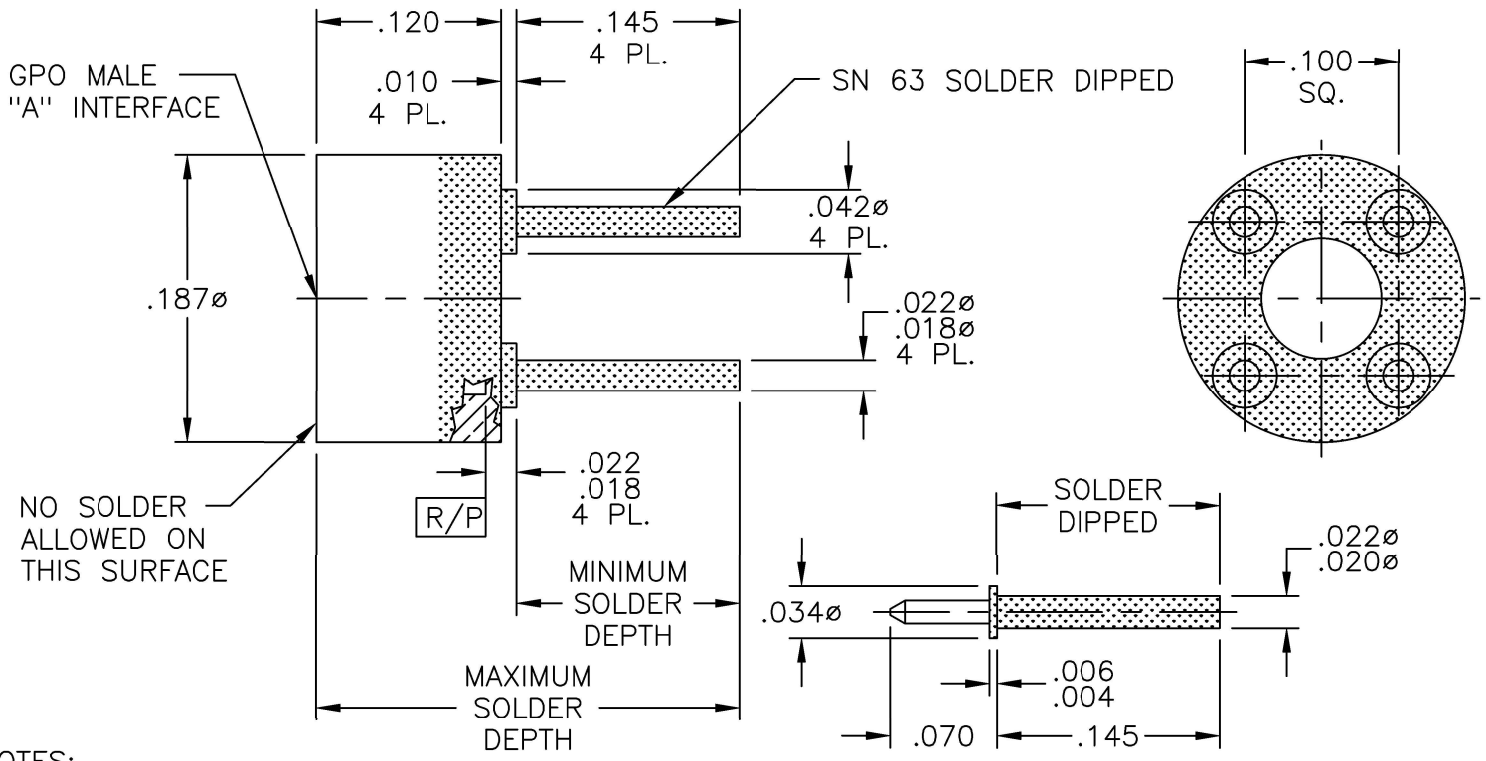
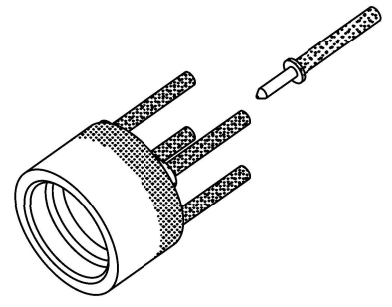


CATALOG NUMBER	"A" INTERFACE
A008-L33-05-T	FULL DETENT
A008-L34-05-T	LIMITED DETENT
A008-L35-05-T	SMOOTH BORE

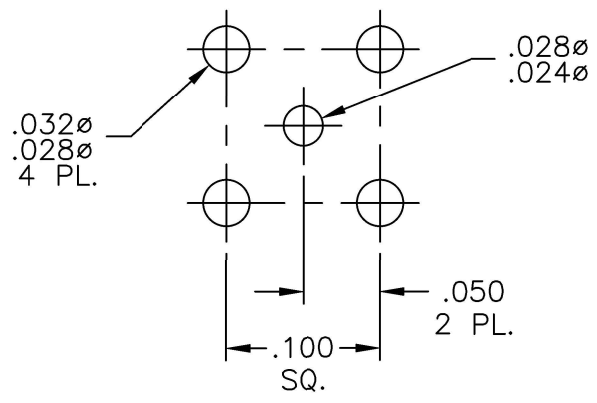
MATERIAL AND FINISH

HOUSING AND CENTER CONTACT: BeCu; GOLD PLATE 75 MICRONS TYPICAL
 OVER NICKEL PLATE 100 MICRONS TYPICAL



NOTES:
 1. ALL DIMENSIONS SHOWN BEFORE SOLDER DIP.

RECOMMENDED MOUNTING HOLES



This drawing and any data contained herein is the property of Corning Gilbert Inc., and constitutes and contains proprietary and confidential information. Neither receipt nor possession of this drawing confers or transfers any right to duplicate, use or disclose any information contained herein except as expressly authorized by Corning Gilbert Inc.

GPO MALE (TAB DETENT) STRAIGHT TO PCB WITH SEPARATE PIN (SOLDER DIPPED)

IDENT CODE: 82316
 REVISION: A

Corning Gilbert Inc.