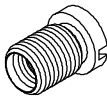
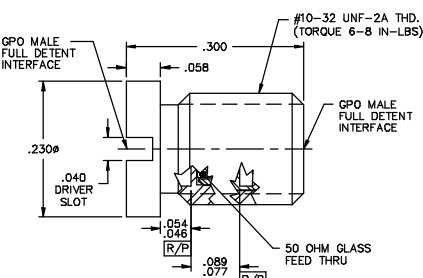


DATE REVISED: 10/20/98

CATALOG NUMBER	
A3A3-0539-01	
MATERIAL AND FINISH	
HOUSING AND BUSHING	CRES 303; PASSIVATED
OUTER RING AND CENTER PIN:	IRON-NICKEL-COBALT SEALING ALLOY (KOVAR); GOLD PLATE
DIELECTRIC:	CORNING 7070 GLASS





#10-32 UNF-2A THD.
(TORQUE 6-8 IN-LBS)

GPO MALE FULL DETENT INTERFACE

.300

.058

.230ø

.040 DRIVER SLOT

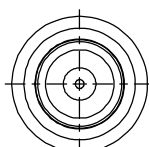
.054
R/P

.046
R/P

.089
R/P

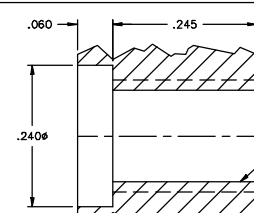
.077
R/P

50 OHM GLASS FEED THRU



GPO MALE FULL DETENT INTERFACE

RECOMMENDED MOUNTING HOLE



.060

.245

.240ø

#10-32 UNF-2B THD.

This drawing and any data contained herein is the property of Corning Gilbert Inc., and constitutes and contains proprietary and confidential information. Neither receipt nor possession of this drawing confers or transfers any right to duplicate, use or disclose any information contained herein except as expressly authorized by Corning Gilbert Inc.

GPO MALE FULL DETENT TO GPO MALE FULL DETENT THREAD-IN ADAPTER (NON-HERMETIC)	IDENT CODE: 82316	Corning Gilbert Inc.
	REVISION: C	
SOURCE FILE: MECR# 2844	DWG. NO.: OL-A3A3-0539-01	ASSY. PROC.: -