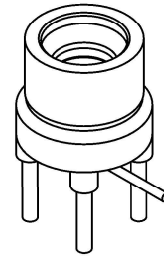
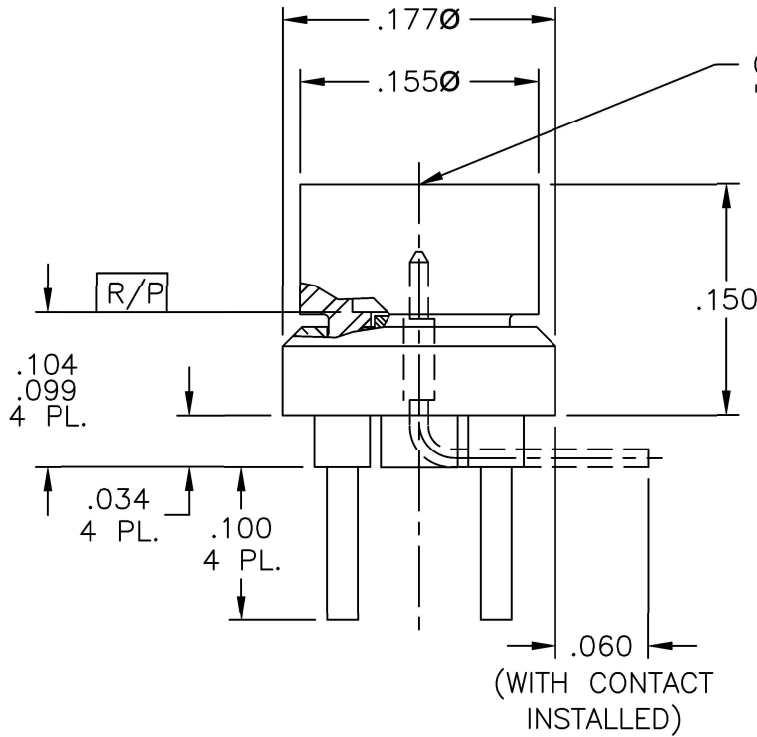


CATALOG NUMBER	"A" INTERFACE
B008-P33-01	FULL DETENT
B008-P35-01	SMOOTH BORE

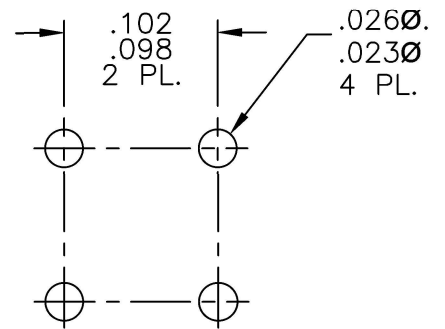
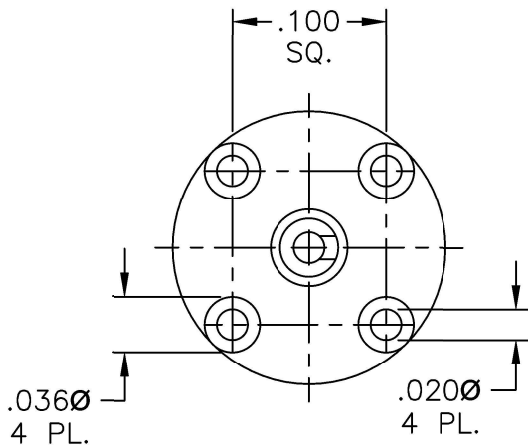
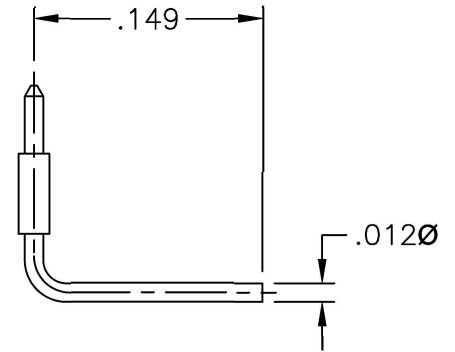


MATERIAL AND FINISH

HOUSING: CRES 303; PASSIVATED  
 R/A CONTACT AND BUSHING: BeCu; GOLD PLATE 75 MICROINCHES TYPICAL OVER NICKEL PLATE 100 MICROINCHES TYPICAL  
 DIELECTRIC: VIRGIN PTFE



GPPO MALE  
 "A" INTERFACE



RECOMMENDED MOUNTING HOLE PATTERN

This drawing and any data contained herein is the property of Corning Gilbert Inc., and constitutes and contains proprietary and confidential information. Neither receipt nor possession of this drawing confers or transfers any right to duplicate, use or disclose any information contained herein except as expressly authorized by Corning Gilbert Inc.

GPPO MALE STRAIGHT TO P.C.B. MOUNT (TAB DETENT)

IDENT CODE: 82316

REVISION: E

**Corning Gilbert Inc.**

SOURCE FILE: MECR# 3165

DWG. NO.: OL-B008-P3X-01

ASSY. PROC.: -