

CATALOG NUMBER	"A" INTERFACE
B010-L13-01	FULL DETENT
B010-L15-01	SMOOTH BORE

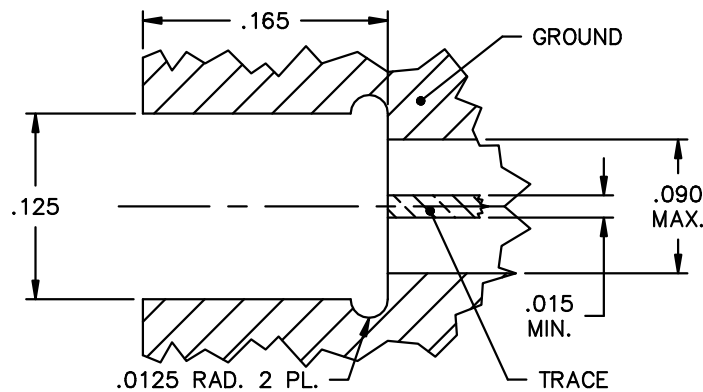
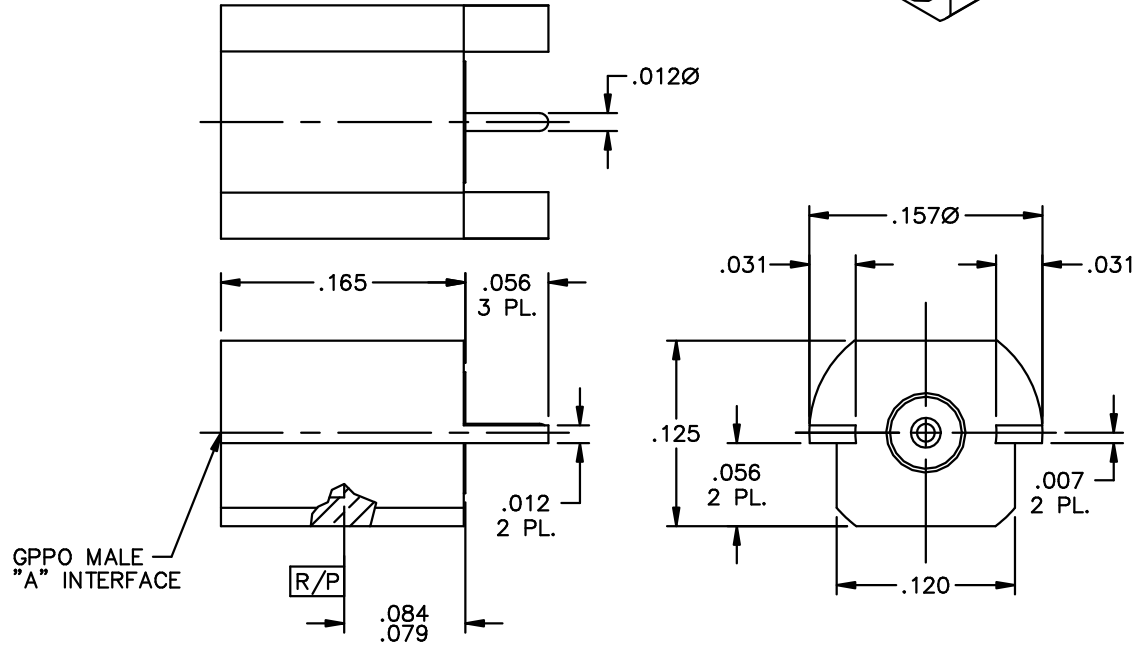
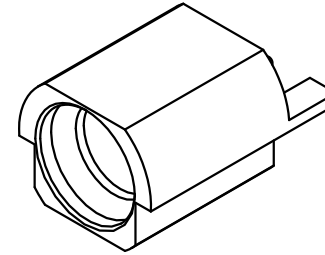
MATERIAL AND FINISH

CENTER CONTACT,
HOUSING, AND
BUSHING:

BeCu; GOLD PLATE 50-100 MICROINCHES
OVER NICKEL PLATE 50 MICROINCHES MIN.

DIELECTRIC:

VIRGIN PTFE



This drawing and any data contained herein is the property of Corning Gilbert Inc., and constitutes and contains proprietary and confidential information. Neither receipt nor possession of this drawing confers or transfers any right to duplicate, use or disclose any information contained herein except as expressly authorized by Corning Gilbert Inc.

GPPO MALE EDGE MOUNT (TAB DETENT)	IDENT CODE: 82316	Corning Gilbert Inc.
	REVISION: D	
SOURCE FILE: SK-2002	DWG. NO.: OL-B010-L1X-01	ASSY. PROC.: -