

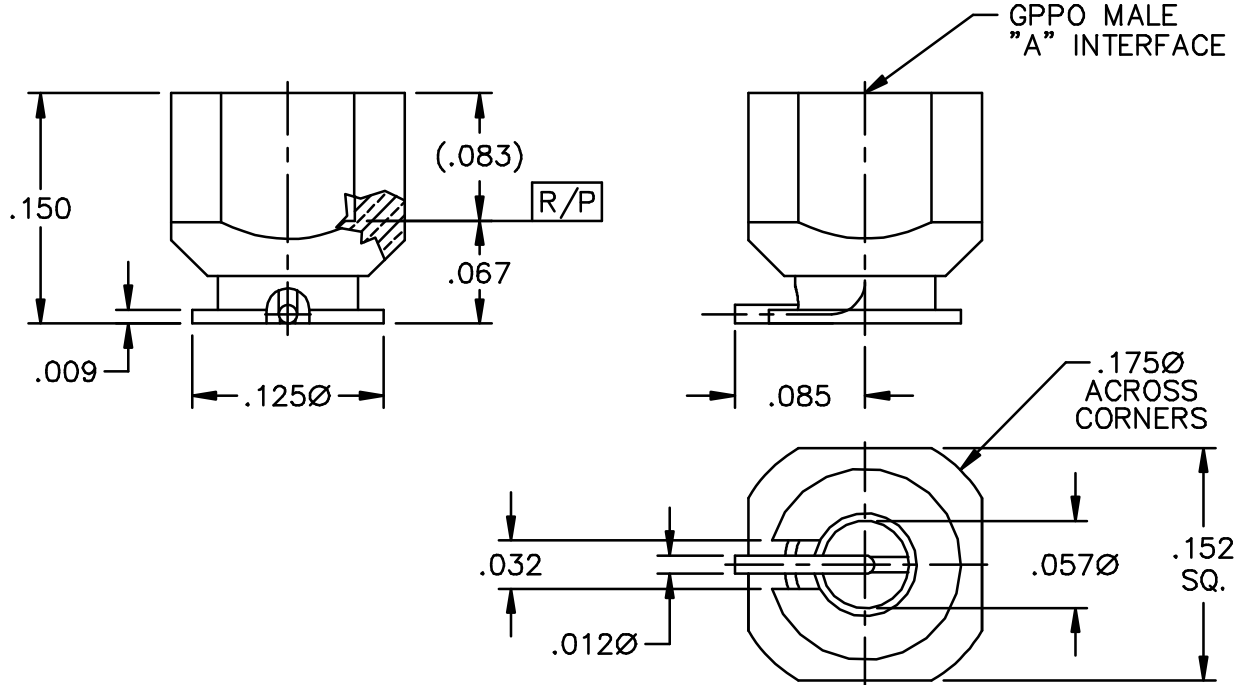
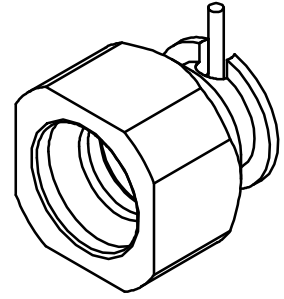
CATALOG NUMBER	"A" INTERFACE
B012-P93-01	FULL DETENT
B012-P95-01	SMOOTH BORE

MATERIAL AND FINISH

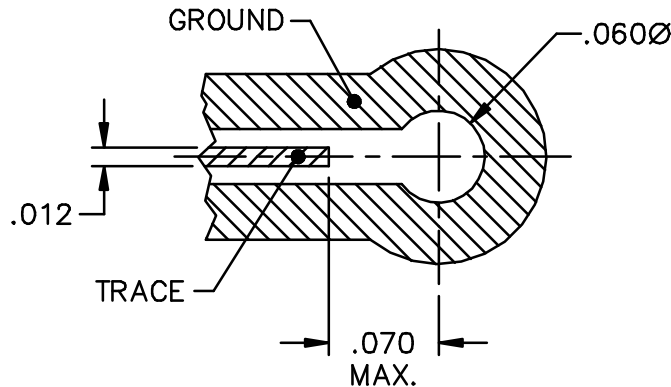
CENTER CONTACT: BeCu; GOLD PLATE 75 MICRONS TYPICAL  
OVER NICKEL PLATE 100 MICRONS TYPICAL

HOUSING: BRASS; GOLD PLATE 75 MICRONS TYPICAL  
OVER NICKEL PLATE 100 MICRONS TYPICAL

DIELECTRIC: POLYAMIDE-IMIDE



RECOMMENDED FOOTPRINT



This drawing and any data contained herein is the property of Corning Gilbert Inc., and constitutes and contains proprietary and confidential information. Neither receipt nor possession of this drawing confers or transfers any right to duplicate, use or disclose any information contained herein except as expressly authorized by Corning Gilbert Inc.

GPPO MALE  
SURFACE MOUNT  
(TAB DETENT)

IDENT CODE:  
82316

REVISION: F

**Corning Gilbert Inc.**

SOURCE FILE: SK-1854

DWG. NO.: OL-B012-P9X-01

ASSY. PROC.: -