

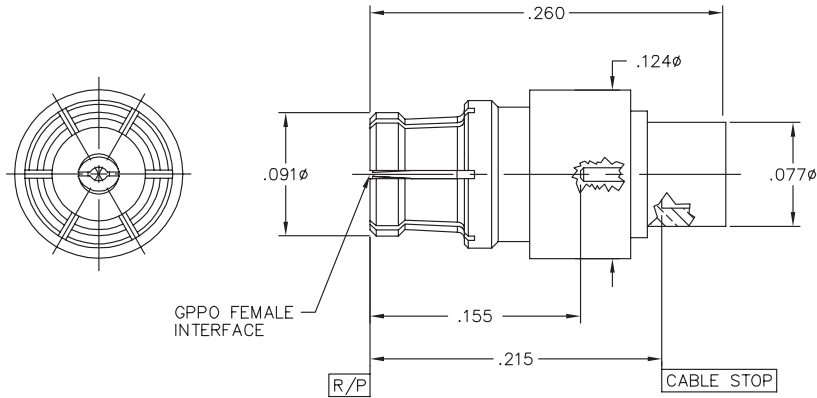
# GPPO® to .047 Cable Connectors

## Female Straight to .047 Semi-Rigid (S/R) Cable

Catalog Number	Recommended Tools	Assembly Procedure	Notes
B014-B11-01	B096-A93-01, A096-A99-04, L096-A99-02, B098-A99-03	AP01-133	

\*Flex cable can be substituted in place of .047 semi-rigid.

\*\*Additional cable options for GPPO® female straight connectors are available.



B014-B11-01



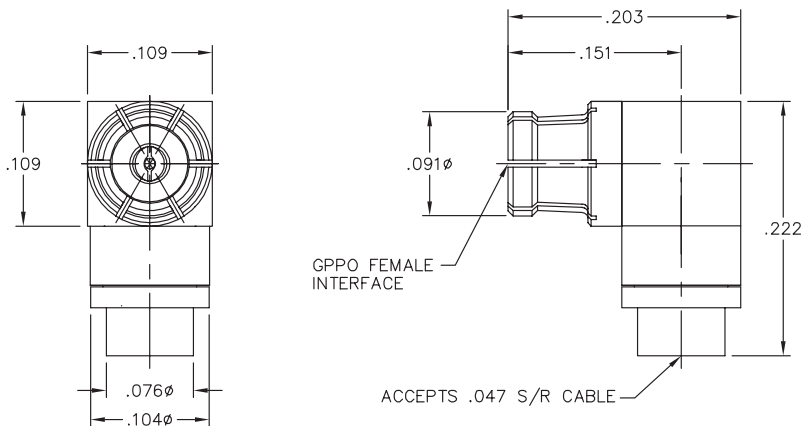
B014-B11-01

## Female Right-Angle (R/A) to .047 Semi-Rigid (S/R) Cable

Catalog Number	Recommended Tools	Assembly Procedure	Notes
B015-B11-01	B096-A93-01, A096-A99-09, L096-A99-02, B098-A99-07	AP01-080	
B015-B11-02	B096-A93-01, A096-A99-10, L096-A99-02, B098-A99-07	AP01-076	Swept contact
B015-B11-04	B096-A93-01, A096-A99-09, L096-A99-02, B098-A99-07	AP01-150	

\*Flex cable can be substituted in place of .047 semi-rigid.

\*\*Additional cable options for GPPO female right-angle connectors are available.



B015-B11-02



B015-B11-02