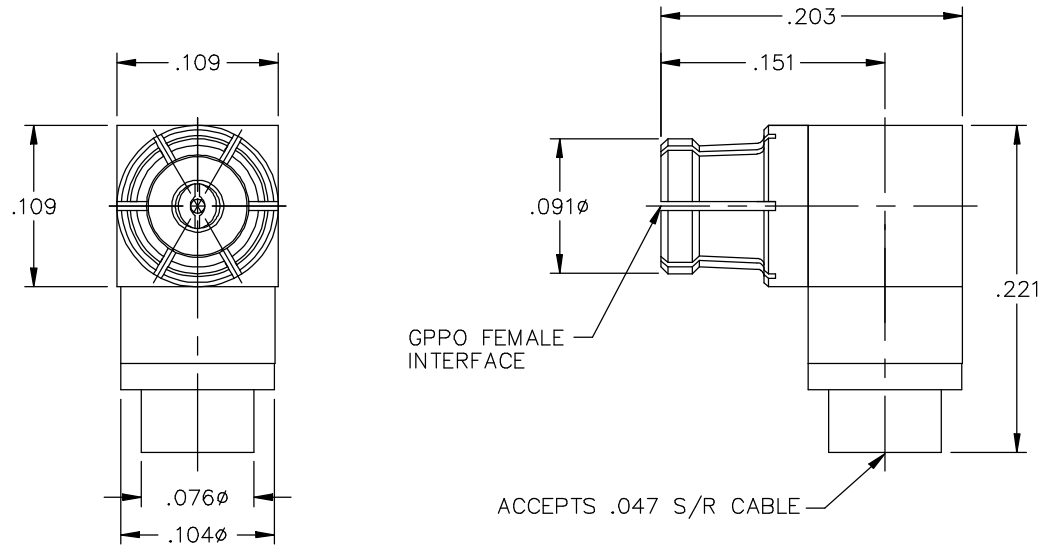
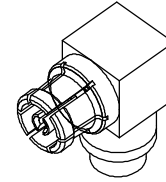


CATALOG NUMBER

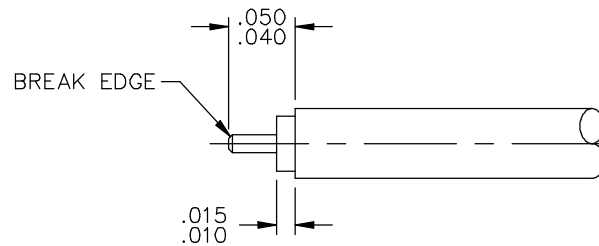
B015-B11-02

MATERIAL AND FINISH
 CENTER CONTACT,
 HOUSING, AND
 CABLE ADAPTER:
 DIELECTRICS:

BeCu; GOLD PLATE 50-100 MICROINCHES
 OVER NICKEL PLATE 50 MICROINCHES MIN.
 VIRGIN PTFE (TEFLON)



CABLE PREPARATION



This drawing and any data contained herein is the property of Corning Gilbert Inc., and constitutes and contains proprietary and confidential information. Neither receipt nor possession of this drawing confers or transfers any right to duplicate, use or disclose any information contained herein except as expressly authorized by Corning Gilbert Inc.

GPPO FEMALE
 R/A TO .047
 S/R CABLE

IDENT CODE:
 82316

REVISION: A1

Corning Gilbert Inc.

SOURCE FILE: MECR# 1843

DWG. NO.: OL-B015-B11-02

ASSY. PROC.: AP01-076