

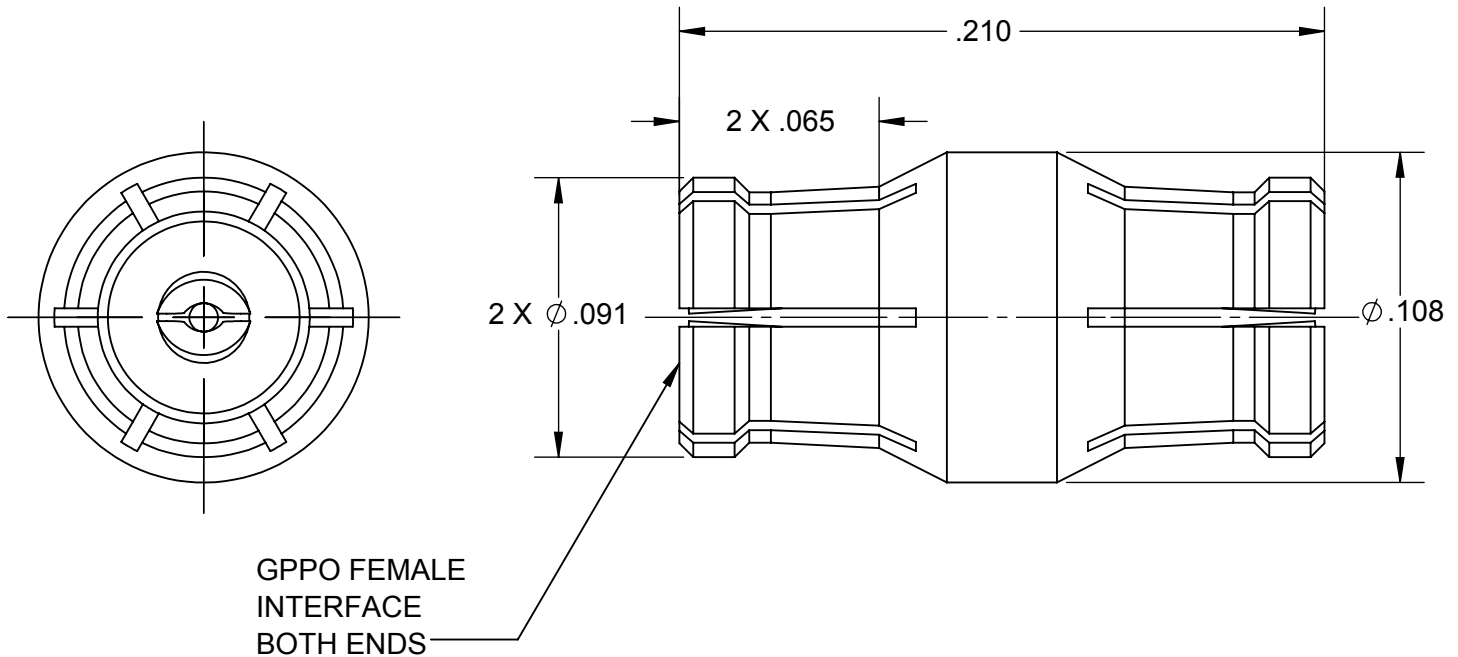
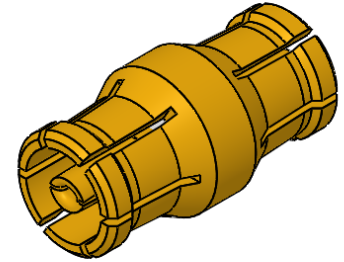
CATALOG NUMBER

B1B1-0009-03

MATERIAL AND FINISH

HOUSING AND CENTER CONTACT: BeCu; GOLD PLATE 75 MICROINCHES TYPICAL OVER COPPER FLASH

DIELECTRIC: VIRGIN PTFE



NOTES:

1 NON-MAGNETIC PLATING. THIS CONNECTOR IS NOT TO BE USED IN STANDARD APPLICATIONS.

CORNING RESTRICTED - This drawing and any data contained herein is the proprietary and confidential information of Corning. Neither receipt nor possession of this drawing provides any right to duplicate, use, or disclose any information contained herein except with the express written consent of Corning.
EXPORT CONTROL - This document contains information within the purview of the Export Administration Regulations (EAR), 15 CFR 730-774, and may be export controlled.

APPROX. WEIGHT: 0.0938 grams	SIGNATURES	INIT	DATE:
TOLERANCE: .XX ±.010 .XXX ±.005 ANGULAR ±5°	DRAWN: MV		06/13/2016
	CHECKED: XXX		
	APPROVED: XXX		

GPPO BLINDMATE INTERCONNECT, NON-MAGNETIC	CAGE CODE: 82316	SCALE: 12:1	SIMILAR TO B1B1-0001-01 CORNING	PLANT OF ORIGIN CORNING PHOENIX PLANT: (623)245-1050 CUSTOMER SERVICE: (800) 651-8869
	REVISION: 01			

SOURCE FILE: SK-5789	DWG. NO.: OL-B1B1-0009-03	ASSY. PROC.: -
-----------------------------	----------------------------------	-----------------------