

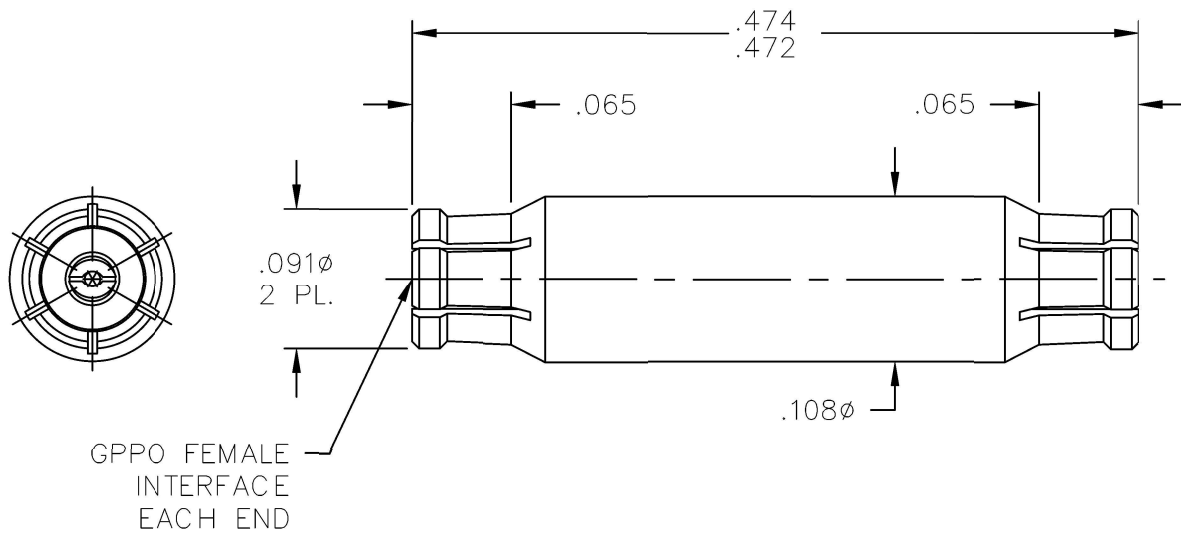
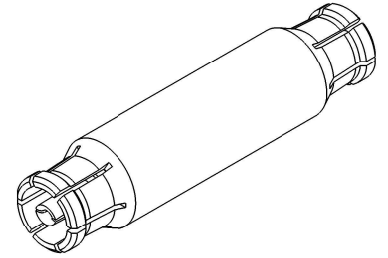
CATALOG NUMBER

B1B1-1001-21

MATERIAL AND FINISH

CENTER CONTACTS, AND HOUSING: BeCu; GOLD PLATE 75 MICRONS TYPICAL
OVER NICKEL PLATE 100 MICRONS TYPICAL.

DIELECTRIC: VIRGIN PTFE



CORNING RESTRICTED - This drawing and any data contained herein is the proprietary and confidential information of Corning. Neither receipt nor possession of this drawing provides any right to duplicate, use, or disclose any information contained herein except with the express written consent of Corning. EXPORT CONTROL - This document contains information within the purview of the Export Administration Regulations (EAR), 15 CFR 730-774, and may be export controlled.

GPPO BLINDMATE INTERCONNECT
.473

IDENT CODE:
82316

REVISION: 01

CORNING

SOURCE FILE: SK-4445

DWG. NO.: OL-B1B1-1001-21

ASSY. PROC.: -