

CATALOG NUMBER

R055-A11-01

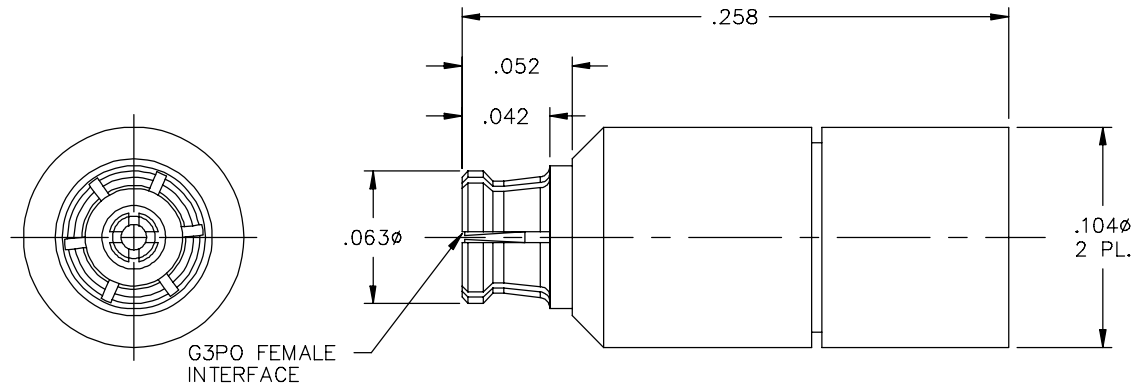
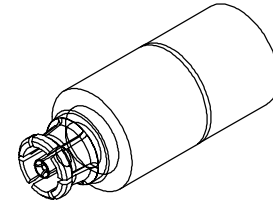
MATERIAL AND FINISH

SOCKET CONTACT,  
LOAD HOUSING,  
BULLET HOUSING  
AND END CAP:

DIELECTRIC:

BeCu; GOLD PLATE 75 MICRONS TYPICAL  
OVER NICKEL PLATE 100 MICRONS TYPICAL

VIRGIN PTFE



This drawing and any data contained herein is the property of Corning Gilbert Inc., and constitutes and contains proprietary and confidential information. Neither receipt nor possession of this drawing confers or transfers any right to duplicate, use or disclose any information contained herein except as expressly authorized by Corning Gilbert Inc.

G3PO FEMALE LOAD

IDENT CODE:  
82316

**Corning Gilbert Inc.**

REVISION: A

SOURCE FILE: SK-2383

DWG. NO.: OL-R055-A11-01

ASSY. PROC.: -