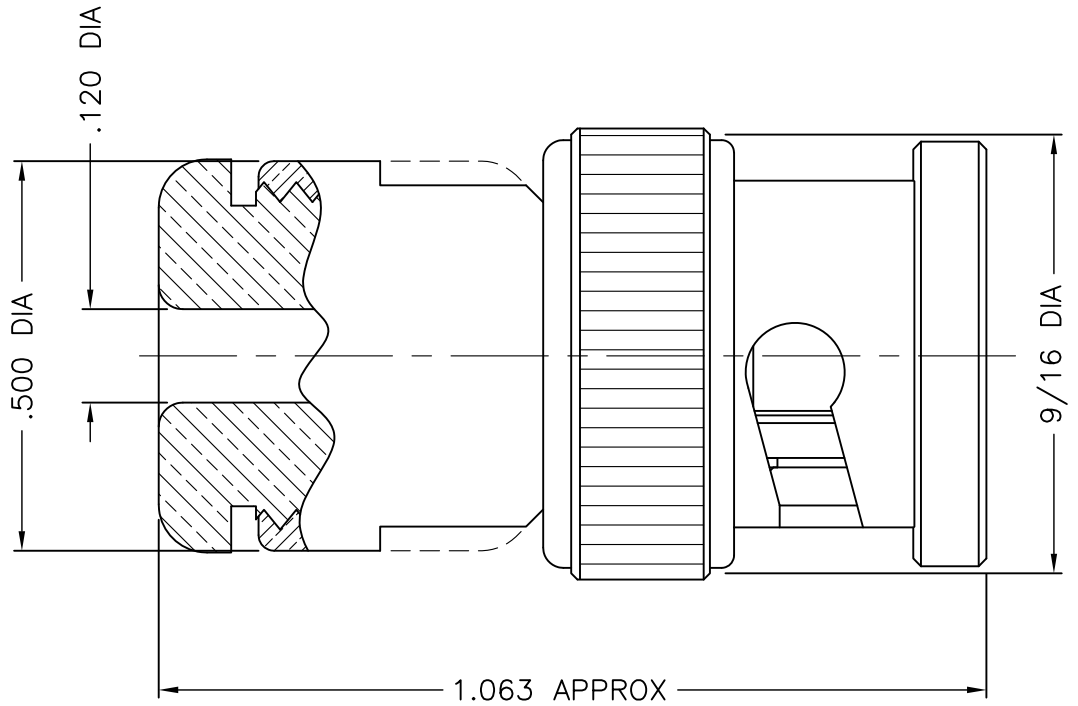
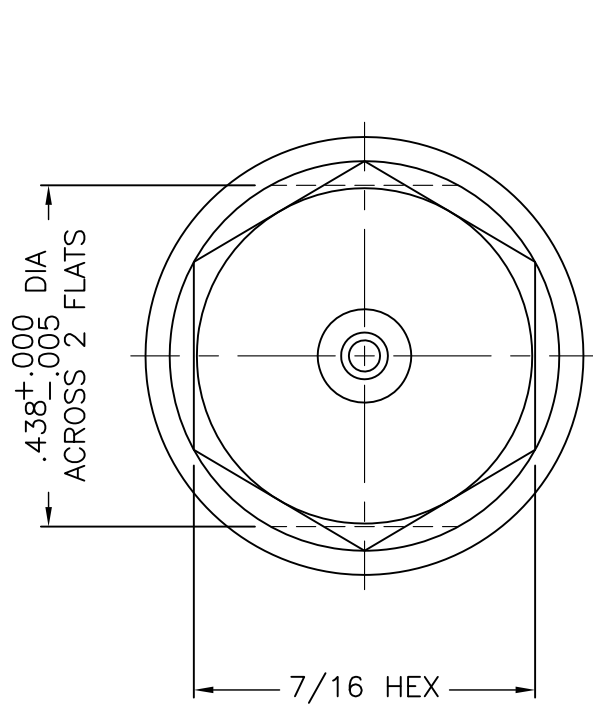




1001-036-A00E



NOTES:

1. ASSEMBLED CONNECTOR INTERFACE IS DESIGNED IN ACCORDANCE WITH MIL-STD-348.
2. MATERIAL: SPRING WASHERS - BERYLLIUM COPPER PER ASTM B196
 INSULATOR - TEFLON PER ASTM D1710
 GASKET - SILICONE RUBBER PER ZZ-R-765
 ALL OTHER METAL PARTS - BRASS PER ASTM B16
3. FINISHES: CONTACT - GOLD PLATE PER MIL-G-45204
 ALL OTHER PLATED PARTS - SILVER PLATE PER QQ-S-365

M39012/16-0220

DELTA ELECTRONICS MFG. CORP. Beverly, MA 01915				
TITLE: 'BNC' CLAMP PLUG W/CAPTIVE CONTACT FOR RG-161, 174, 179B & 188/U CABLES				
Drawn by BJM 6/14/2001	Scale 4/1	Ckd. by MR	Engr Appd MR	FILE NAME: 1001036A00E-000T
CODE IDENT. -00795		1001-036-A00E		

UNLESS OTHERWISE SPECIFIED: TOLERANCES: 3 PLACES = ±.005, 2 PLACES = ±.02, ANGLES = ±1/2°, SURFACE FINISH = 63

-	OUTLINE	6/14/2001
ALT.	REVISIONS	DATE

THESE DRAWINGS AND SPECIFICATIONS ARE THE PROPERTY OF DELTA ELECTRONICS MFG CORP. AND SHALL NOT BE REPRODUCED, OR COPIED OR USED AS THE BASIS FOR THE MANUFACTURE OR SALE OF APPARATUS OR DEVICES WITHOUT THEIR EXPRESS WRITTEN CONSENT.