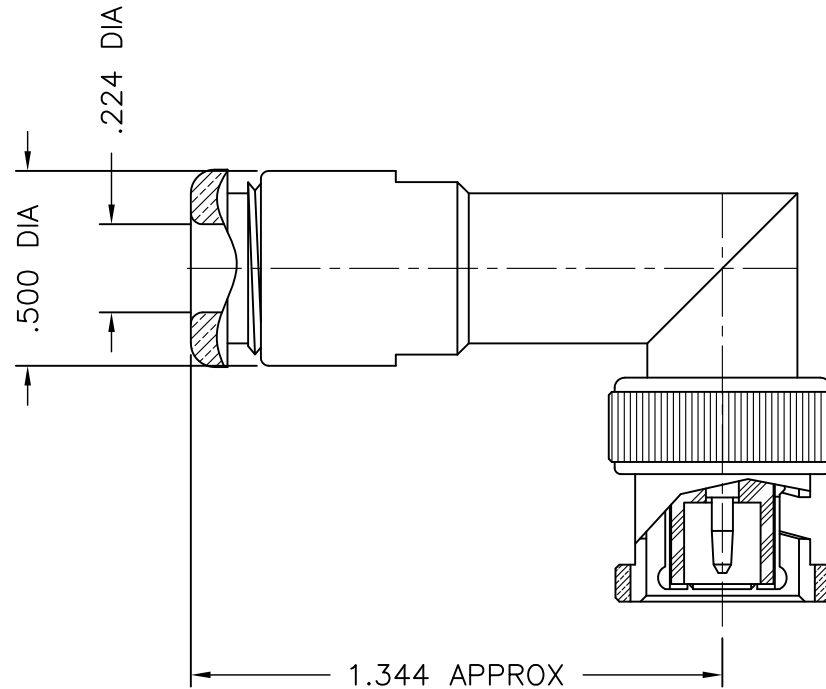
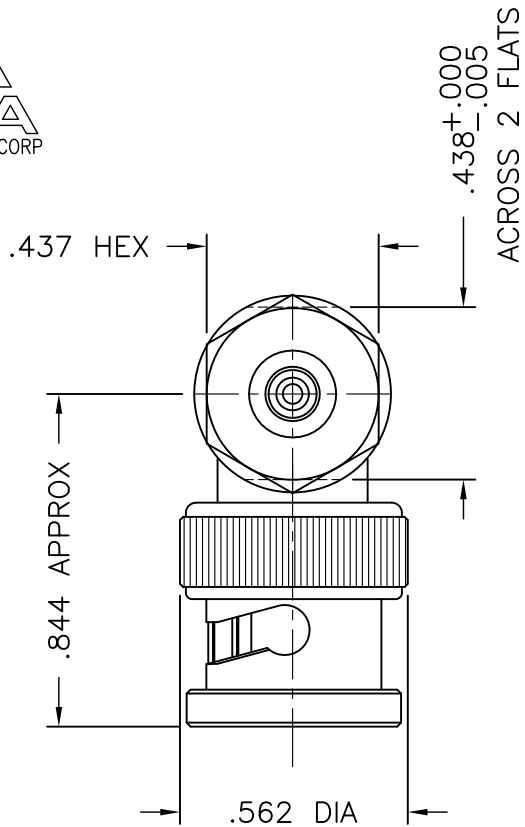




1004-015-A00E



NOTES:

1. ASSEMBLED CONNECTOR INTERFACE IS DESIGNED IN ACCORDANCE WITH MIL-STD-348.
2. MATERIAL: CABLE CONTACT- BRASS PER ASTM B16  
90° CONTACT- BERYLLIUM COPPER PER ASTM B196.  
GASKETS- SILICONE RUBBER PER A-A-59588  
INSULATORS- TEFLON PER ASTM D4894  
ALL OTHER METAL PARTS- BRASS PER ASTM B16
3. FINISHES: CONTACTS- GOLD PLATE PER ASTM B488  
ALL OTHER METAL PARTS- SILVER PLATE PER ASTM B700

M39012/20-0101

UNLESS OTHERWISE SPECIFIED: TOLERANCES: 3 PLACES = ±.005, 2 PLACES = ±.02, ANGLES = ±1/2°

A	REVISED	8/28/97
-	OUTLINE	9/21/93
ALT.	REVISIONS	DATE

DELTA ELECTRONICS MFG. CORP. Beverly, MA 01915				
TITLE: 'BNC' RIGHT ANGLE CLAMP PLUG FOR RG 55, 58C, 141A, 142B & 223/U CABLE				
Drawn by MJA 8/28/97	Scale 2/1	Ckd. by BJM	Engr Appd MR	FILE NAME: 1004015A00E-000T

THESE DRAWINGS AND SPECIFICATIONS ARE THE PROPERTY OF DELTA ELECTRONICS MFG CORP. AND SHALL NOT BE REPRODUCED, OR COPIED OR USED AS THE BASIS FOR THE MANUFACTURE OR SALE OF APPARATUS OR DEVICES WITHOUT THEIR EXPRESS WRITTEN CONSENT.

CODE IDENT.-00795

1004-015-A00E