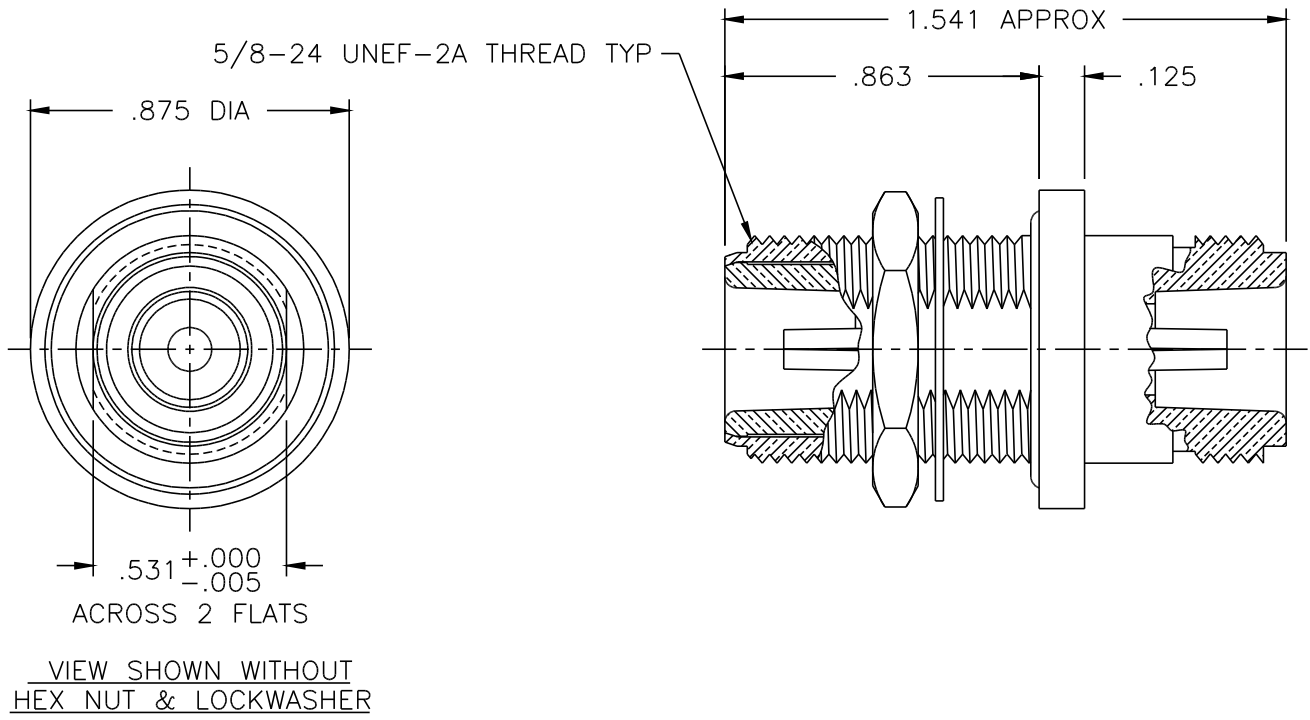




1126-000-A728-6



VIEW SHOWN WITHOUT  
HEX NUT & LOCKWASHER

NOTES:

- ASSEMBLED CONNECTOR IS DESIGNED IN ACCORDANCE WITH MIL-A-55339/04-00030.
- MATERIAL: BODY, BUSHING & HEX NUT - BRASS PER ASTM B16  
 LOCKWASHER - SPRING STEEL  
 CONTACTS - BERYLLIUM COPPER PER ASTM B196.  
 GLASS SEAL - CORNING GLASS EI #10  
 O-RING - BUNA-N, 60±10 DUROMETER (A)
- FINISHES: CONTACTS - GOLD PLATE PER MIL-G-45204  
 ALL OTHER METAL PARTS - SILVER PLATE PER QQ-S-365

M55339/04-00030

DELTA ELECTRONICS MFG. CORP. Beverly, MA 01915

TITLE: 'N' (F-F) BULKHEAD MOUNTED  
HERMETICALLY SEALED ADAPTER

Drawn by RWP	Scale 2/1	Ckd. by	Engr Appd	FILE NAME: 1126000A728-006T
8/26/97				

A	MAT. UPDATE	8/26/97
-	OUTLINE	10/16/93
ALT.	REVISIONS	DATE

UNLESS OTHERWISE SPECIFIED: TOLERANCES: 3 PLACES = ±.005, 2 PLACES = ±.02, ANGLES = ±1/2°

THESE DRAWINGS AND SPECIFICATIONS ARE THE PROPERTY OF DELTA ELECTRONICS MFG CORP. AND SHALL NOT BE REPRODUCED, OR COPIED OR USED AS THE BASIS FOR THE MANUFACTURE OR SALE OF APPARATUS OR DEVICES WITHOUT THEIR EXPRESS WRITTEN CONSENT.

CODE IDENT. -00795 1126-000-A728-6