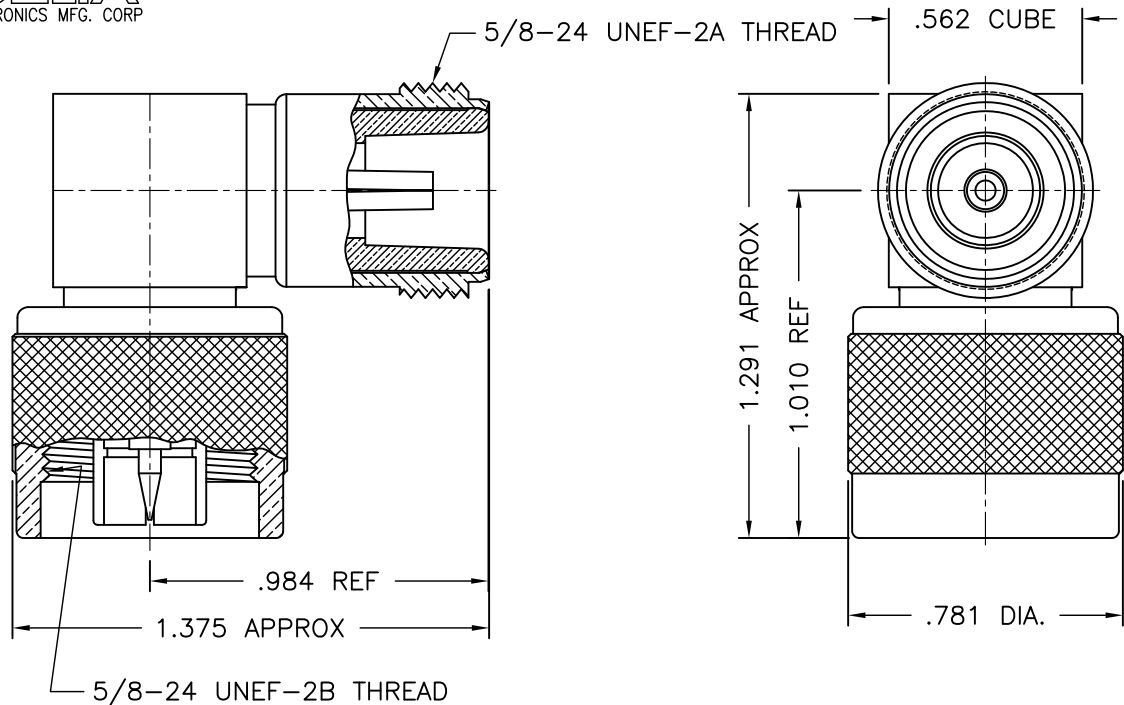




1135-000-A000-7



**NOTES:**

1. ASSEMBLED CONNECTOR INTERFACES ARE DESIGNED IN ACCORDANCE WITH MIL-STD-348.
2. MATERIAL: LOCKING RING - PHOSPHOR BRONZE PER QQ-B-750  
 CONTACT - BERYLLIUM COPPER PER ASTM B196.  
 GASKET - SILICONE RUBBER PER ZZ-R-765  
 INSULATORS - TEFLON PER ASTM D1710  
 ALL OTHER METAL PARTS - BRASS PER ASTM B16
3. FINISHES: CONTACT - GOLD PLATE PER MIL-G-45204  
 ALL OTHER METAL PARTS - SILVER PLATE PER QQ-N-290

M55339/03-00027

DELTA ELECTRONICS MFG. CORP. Beverly, MA 01915					
TITLE: 'N' JACK-PLUG RIGHT ANGLE ADAPTER					
Drawn by BJM 5/16/00	Scale 2/1	Ckd. by MR	Engr Appd MCD	FILE NAME: 1135000A000-007T	
CODE IDENT.-00795			1135-000-A000-7		

UNLESS OTHERWISE SPECIFIED: TOLERANCES: 3 PLACES = ±.005, 2 PLACES = ±.02, ANGLES = ±1/2', SURFACE FINISH = 63

-	OUTLINE	7/29/09
ALT.	REVISIONS	DATE

THESE DRAWINGS AND SPECIFICATIONS ARE THE PROPERTY OF DELTA ELECTRONICS MFG CORP. AND SHALL NOT BE REPRODUCED, OR COPIED OR USED AS THE BASIS FOR THE MANUFACTURE OR SALE OF APPARATUS OR DEVICES WITHOUT THEIR EXPRESS WRITTEN CONSENT.